



USER MANUAL

CT-SLM828A RF Analog Signal Level Meter



PACKAGE CONTENTS

This package contains:

- One CT-SLM828A RF Analog Signal Level Meter
- One meter case and strap
- One 9V 0.4A charger
- One F barrel connector
- One installation manual

PRODUCT DESCRIPTION

The CT-SLM828A is a professional RF analog signal level meter designed and manufactured for satellite television and CATV system installation and testing. The meter can test signal strength in the channel or frequency modes. It can also measure carrier/noise, trunk cable voltage, and other parameters. The CT-SLM828A's LCD display presents all testing results.

SPECIFICATIONS

CT-SLM828A

Specifications (Typical)

1. Frequency Range	46 – 870MHz
2. Resolution Bandwidth	280kHz \pm 50kHz
3. Channels	2 – 125 CATV
4. Level Range	-30dBmV – +55dBmV
5. Accuracy	\pm 1.5dB
6. Input Impedance	75 Ω (BNC or F connector)
7. Wave Detection	Peak value
8. Voltage Range	0 – 100VAC
9. Voltage Accuracy	\pm 1.5V
10. Voltage Resolution	0.1V
11. LCD Display	16x2 LCD with backlight
12. Power	7.2V DC 1.5Ah rechargeable battery
13. Estimated Recharging Time	12 – 14 hours
14. Dimension	8.4"x3.7"x1.9"
15. Weight	2.9lbs
16. Working Temperature	14°F – 104°F

INSTALLATION AND OPERATION

1. UNPACKING and HANDLING

Each unit is shipped assembled and factory tested.

Ensure that all accessories are removed from the container before discarding packing material

2. MECHANICAL INSPECTION

Inspect the front and rear of the equipment for shipping damage. Make sure the equipment is clean, and no connectors are broken, damaged, or loose. If equipment appears to be damaged or defective please contact your distributor or Cabletronix at 1-610-429-1511 for assistance.

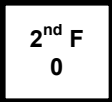
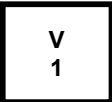
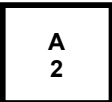



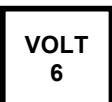
3. PRODUCT DIAGRAM

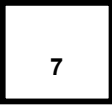
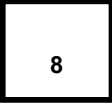
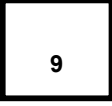


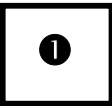
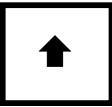
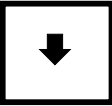


4. SET UP





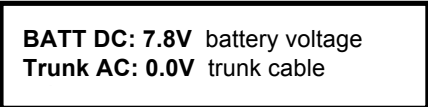
- a. Connect the charger to the CT-SLM828A and an AC power outlet and allow the unit to fully charge before using. The Charging Status LED will light when charging.
- b. Attach the included F barrel connector to the CT-SLM828A's RF Port.

5. KEYS

- a.  This is the **2nd Function Key**. When you first press this key and then press another key the CT-SLM828A will execute the second function of that corresponding key. If no second key is pressed then the number 0 will be entered.
- b.  Pressing the 2nd Function Key followed by this key will allow the CT-SLM828A to measure the current channel's **Video Level**. If this key is pressed first then it will enter the number 1.
- c.  Pressing the 2nd Function Key followed by this key will allow the CT-SLM828A to measure the **Audio Level** of the current channel. If this key is pressed first then it will enter the number 2.
- d.  Pressing the 2nd Function Key followed by this key will allow the CT-SLM828A to present the difference between the Video and Audio carrier levels. If this key is pressed first then it will enter the number 3.
- e.  Pressing the 2nd Function Key followed by this key will allow the CT-SLM828A to enter the Frequency Mode and measure the level of the current frequency. If this key is pressed first then it will enter the number 4.
- f.  Pressing the 2nd Function Key followed by this key will allow the CT-SLM828A to measure the **Carrier/Noise Level** of the current channel. If this key is pressed first then it will enter the number 5.
- g.  Pressing the 2nd Function Key followed by this key will allow the CT-SLM828A to measure the **Trunk Cable Voltage**. If this key is pressed first then it will enter the number 6.

- h.  Pressing this key will enter the number 7.
- i.  Pressing this key will enter the number 8.
- j.  Pressing this key will enter the number 9.
- k.  Use this key to place a decimal point. If you press this key before pressing ENTER you will cancel the input or current function. When you want to input a frequency and it is less than the maximum channel number then you must add a decimal behind the frequency value.
- l.  Press the ENTER key to input channel, frequency, or other information. Note: when pressing the ENTER key while powering on the CT-SLM828A the dB display will change between dB μ V and dBmV (under the NTSC standard).
- m.  Powers the CT-SLM828A ON/OFF.
- n.  Channel Up / Frequency Up.
- o.  Channel Down / Frequency Down.

6. USING the CT-SLM828A

- a. The **frequency value** can be changed by pressing either the  or .
- b. The **channel value** can be changed by pressing either the  or .
- c. When in the **Trunk Cable Voltage** function the LCD display will show Pressing **CLR** will take you back to the original mode.

d. For **C/N measurement** you must first select a channel to be measured. Then

press the

2 nd F
0

 followed by the

C/N
5

 key.

The CT-SLM828A will then be in the C/N mode. The CT-SLM828A will now be able to measure the Video Level and the LCD display will show.....

Shut Off Carrier Press C/N Again

You will need to shut off the carrier and press the

C/N
5

 key again. The LCD display

will then show

Please Wait!

 The CT-SLM828A will now display the C/N level. Note the C/N level is less than 25dB or more than 65dB the level is out of range and the LCD display shows "**C/N OUT OF RANGE**". The CT-SLM828A display "**UNCAL**"

7. TROUBLESHOOTING

Troubleshooting assistance can be found on-line at www.cabletronix.com in addition to support from Cabletronix sales engineers at 1-610-429-1511.