



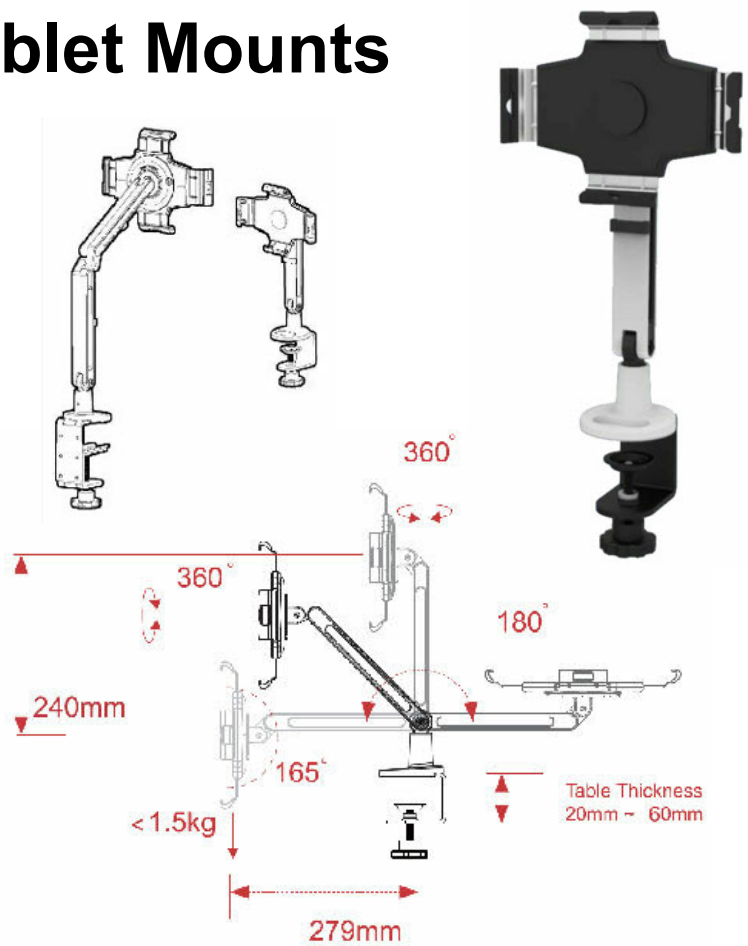
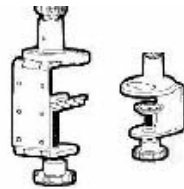
...competitive technologies
with compelling value

Tablet Mounts

CT-TABMNT-1L-W Single Arm Locking Tablet Mount

Features:

- Aluminum alloy material made with exquisite and elegant quality
- Compatible with tablets from 9" to 11"
- Anti-theft feature for use in displays and exhibits
- Cable routing management
- Single arm mounting style
- Wide angle and height range for comfortable viewing positions
- Swift movement with easy adjustments
- Easy to install and dismount



CT-TABMNT-2A-W Dual Arm Non-Locking Tablet Mount

Features:

- Aluminum alloy material made with exquisite and elegant quality
- Wall mount and C-Clamp desk mount included
- Compatible with tablets from 9" to 11"
- Cable routing management
- Dual arm mounting style
- Wide angle and height range for comfortable viewing positions
- Swift movement with easy adjustments
- Easy to install and dismount

