

ST-TVI5VFTD-MZ-P

5MP TVI PoC Motorized Varifocal Lens Turret Dome Camera

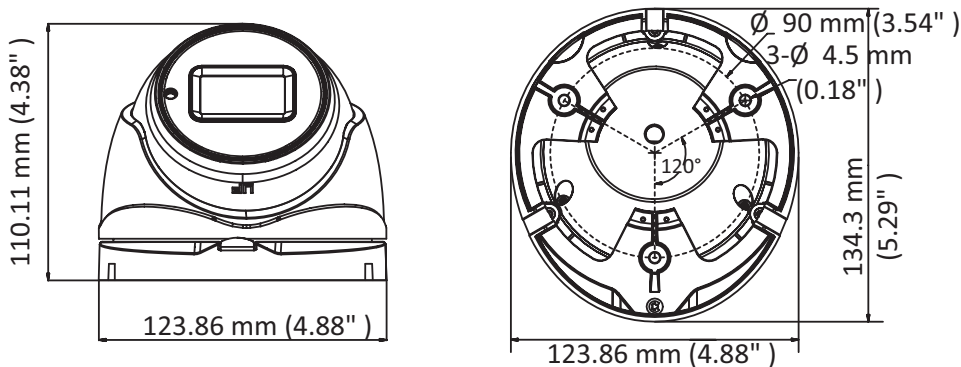
Deliver a High Definition video signal to your recorder while allowing both power and control signals to transmit over one coaxial cable from the DVR to the camera. SecurityTronix uses PoC (Power over Coax) and CoC (Control over Coax) to accomplish this. Now you can eliminate the need for additional power cable, and cut costs, while delivering high definition quality images and further transmission distances for your job sites. This solution has many installers boasting their installations are fast, easy, and saving their customers money.



Key Features

- PoC.at - Power over Coax
- CoC - Control over Coax
- UTC - Up the Coax
- 5 MP, 2560 x 1944 @20fps
- 2.7 mm to 13.5 mm motorized varifocal lens
- EXIR 2.0, smart IR, up to 131' IR distance
- OSD menu, 2D DNR, DWDR
- IP67

Dimensions



Available Accessories



Wall Mount
ST-WM2



Junction Box
ST-JB2



ST-TVI5VFTD-MZ-P 5MP TVI PoC Motorized Varifocal Lens Turret Dome Camera

Camera	
Image Sensor	5 MP CMOS image sensor
Resolution	2560 (H) × 1944 (V)
Min. Illumination	Color: 0.01 Lux @ (F1.2, AGC ON), 0 Lux with IR
Shutter Time	PAL: 1/25 s to 1/50, 000 s NTSC: 1/30 s to 1/50, 000 s
Lens	2.7 mm to 13.5 mm motorized varifocal lens
Horizontal Field of View	95.7° to 29.1°
Lens Mount	Φ 14
Day & Night	IR cut filter
Angle Adjustment	Pan: 0° to 360°; Tilt: 0° to 75°; Rotate: 0° to 360°
Synchronization	Internal synchronization
Frame Rate	PAL: 5 MP@20fps, 4 MP@25fps, 1080p@25fps NTSC: 5 MP@20fps, 4 MP@30fps, 1080p@30fps

Interface	
Video Output	1 HD analog output

General	
Operating Conditions	-40 °F to 140 °F (-40 °C to 60 °C), humidity: 90% or less (non-condensing)
Power Supply	12 VDC ± 25%/PoC.at
Power Consumption	Max. 7.8 W
Protection Level	IP67
Material	Metal
IR Range	Up to 131'
Communication	UTC (Up the coax), Protocol: (TVI output)
Dimensions	4.88" × 5.29" × 4.38" (123.86 mm × 134.3 mm × 110.11 mm)
Weight	Approx. 1.37 lb. (620 g)
Warranty	2-Year Limited Fixed Camera Warranty

Menu	
AGC	Support
Day/Night Mode	Auto/Color/BW (Black and White)
White Balance	ATW (Auto Trace White) MWB (Manual White Balance)
BLC	Support
DWDR (Digital Wide Dynamic Range)	Support
Language	English
Functions	Brightness, Sharpness, DNR , Mirror, Smart IR