

ST-TVI5VFB-MZ-P

5MP TVI PoC Motorized Varifocal Lens Bullet Camera

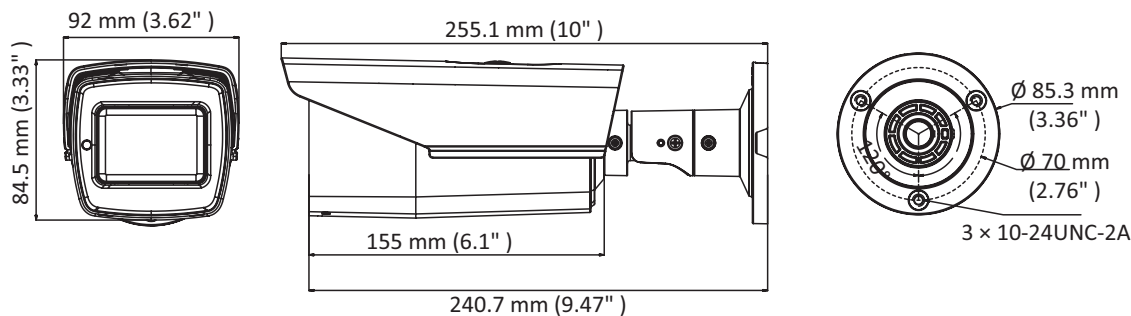
Deliver a High Definition video signal to your recorder while allowing both power and control signals to transmit over one coaxial cable from the DVR to the camera. SecurityTronix uses PoC (Power over Coax) and CoC (Control over Coax) to accomplish this. Now you can eliminate the need for additional power cable, and cut costs, while delivering high definition quality images and further transmission distances for your job sites. This solution has many installers boasting their installations are fast, easy, and saving their customers money.



Key Features

- PoC.at - Power over Coax
- CoC - Control over Coax
- UTC - Up the Coax
- 5 MP, 2560 x 1944 @20fps
- 2.7 mm to 13.5 mm motorized varifocal lens
- EXIR 2.0, smart IR, up to 131' IR distance
- OSD menu, 2D DNR, DWDR
- IP67

Dimensions



Available Accessories



Junction Box
ST-JB4



ST-TVI5VFB-MZ-P 5MP TVI PoC Motorized Varifocal Lens Bullet Camera

| Camera | |
|--------------------------|---|
| Image Sensor | 5 MP CMOS image sensor |
| Resolution | 2560 (H) × 1944 (V) |
| Min. Illumination | Color: 0.01 Lux @ (F1.2, AGC ON), 0 Lux with IR |
| Shutter Time | PAL: 1/25 s to 1/50, 000 s NTSC: 1/30 s to 1/50, 000 s |
| Lens | 2.7 mm to 13.5 mm motorized varifocal lens |
| Horizontal Field of View | 95.7° to 29.1° |
| Lens Mount | Φ 14 |
| Day & Night | IR cut filter |
| Angle Adjustment | Pan: 0° to 360°; Tilt: 0° to 90°; Rotate: 0° to 360° |
| Synchronization | Internal synchronization |
| Frame Rate | PAL: 5 MP@20fps, 4 MP@25fps, 1080p@25fps NTSC: 5 MP@20fps, 4 MP@30fps, 1080p@30fps |

| Interface | |
|--------------|--------------------|
| Video Output | 1 HD analog output |

| General | |
|----------------------|--|
| Operating Conditions | -40 °F to 140 °F (-40 °C to 60 °C), humidity: 90% or less (non-condensing) |
| Power Supply | 12 VDC ± 25%/PoC.at |
| Power Consumption | Max. 7.8 W |
| Protection Level | IP67 |
| Material | Front cover: Metal Main body: Plastic Bracket: Metal |
| IR Range | Up to 131' |
| Communication | UTC (Up the coax), Protocol: (TVI output) |
| Dimensions | 3.33" × 3.62" × 10" (84.5 mm × 92 mm × 255.1 mm) |
| Weight | Approx. 1.51 lb. (685 g) |
| Warranty | 2-Year Limited Fixed Camera Warranty |

| Menu | |
|-----------------------------------|--|
| AGC | Support |
| Day/Night Mode | Auto/Color/BW (Black and White) |
| White Balance | ATW (Auto Trace White) MWB (Manual White Balance) |
| BLC | Support |
| DWDR (Digital Wide Dynamic Range) | Support |
| Language | English |
| Functions | Brightness, Sharpness, DNR , Mirror, Smart IR |