

ST-IP8VFTD-MZ

8MP IP Motorized Varifocal Turret Dome Camera

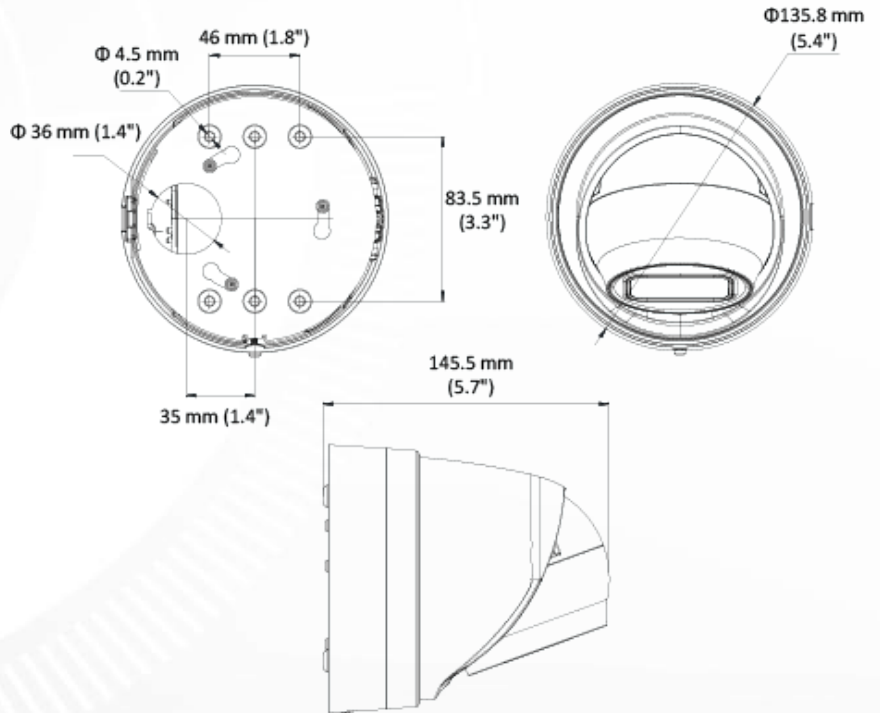
The ST-IP8VFTD-MZ is an Ultra HD 8MP Motorized Zoom 2.8 -12mm Varifocal Lens Turret Dome camera that allows you to aim, zoom and focus the camera at the recorder, using a test meter, via web browser or using CMS making the install process safer and easier.



Key Features

- 3840 × 2160 resolution @ 15fps
- 2.8mm to 12mm varifocal lens
- Motorized zoom & focus
- 120dB Wide Dynamic Range
- IP67 weather rating
- IK10 vandal rating

Dimensions



Related Items



Wall Mount
ST-WM7



4/8/16 Ch NVR
ST-EZ4
ST-EZ8
ST-EZ16



128 Ch NVR
ST-NVR128



24-Port PoE Switch
ST-POE24



12V DC Power Supply
ST-PS12VDC2A

ST-IP8VFTD-MZ 8MP IP Motorized Varifocal Turret Dome Camera

Camera	
Image Sensor	1/2.5" Progressive Scan CMOS
Min. Illumination	Color: 0.01 Lux @ (F1.2, AGC (Automatic Gain Control) ON), 0.018 Lux @ (F1.6, AGC ON), 0 Lux with IR (Infrared)
Shutter Speed	1/3s to 1/100,000s
Slow Shutter	Yes
Auto-Iris	No
Day & Night	IR Cut Filter
Digital Noise Reduction	3D DNR (Digital Noise Reduction)
WDR (Wide Dynamic Range)	120dB
3-Axis Adjustment	Pan: 0° to 355°, tilt: 0° to 75°, rotate: 0° to 355°

Lens	
Focal Length	2.8 to 12 mm
Aperture	F1.6
Focus	Auto
FOV	Horizontal field of view: 105° to 34.5° Vertical field of view: 55° to 19° Diagonal field of view: 125° to 40°
Lens Mount	Ø14

Interface	
Audio	1 input (line in, 3.5 mm), 1 output (line out, 3.5 mm), mono sound
Alarm	1 input, 1 output
Communication Interface	1 RJ45 10M/100M self-adaptive Ethernet port
Video Output	1Vp-p composite output (75 Ω/BNC) (For adjustment only)
On-board storage	Built-in Micro SD/SDHC/SDXC slot, up to 128 GB
Reset Button	Yes

Image	
Max. Resolution	3840 × 2160
Main Stream	50Hz: 12.5 fps (3840 × 2160), 20fps (3072 × 1728), 25 fps (2560 × 1440, 1920 × 1080, 1280 × 720) 60Hz: 15 fps (3840 × 2160), 20fps (3072 × 1728), 30 fps (2560 × 1440, 1920 × 1080, 1280 × 720)
Sub-Stream	50Hz: 25fps (640 × 480, 640 × 360, 320 × 240) 60Hz: 30fps (640 × 480, 640 × 360, 320 × 240)
Third Stream	50Hz: 25fps (1280 × 720, 640 × 360, 352 × 288) 60Hz: 30fps (1280 × 720, 640 × 360, 352 × 240)
Image Enhancement	BLC (Back Light Compensation) / 3D DNR (Digital Noise Reduction)
Image Settings	Rotate mode, saturation, brightness, contrast, sharpness adjustable by client software or web browser
Target Cropping	No
Day/Night Switch	Day/Night/Auto/Schedule/Triggered by Alarm In

Smart Features	
Behavior Analysis	Line crossing detection, intrusion detection
Face Detection	Supported
Region of Interest	Supports 1 fixed region for main stream and sub-stream

Compression Standard	
Video Compression	Main stream: H.265+/H.265/H.264+/H.264 Sub-stream: H.265/H.264/MJPEG Third stream: H.265/H.264 SVC supported
Video Bitrate	32 Kbps to 16 Mbps
Audio Compression	G.711/G.722.1/G.726/MP2L2/PCM
Audio Bitrate	64Kbps(G.711)/16Kbps(G.722.1)/16Kbps(G.726)/32-192Kbps(MP2L2)

Audio	
Environment Noise Filtering	Supported
Audio Sampling Rate	8kHz/16kHz/32kHz/44.1kHz/48kHz

Network	
Network Storage	Supports Micro SD/SDHC/SDXC card (128G), local storage and NAS (NFS,SMB/CIFS), ANR (Automatic Network Replenishment)
Alarm Trigger	Motion detection, video tampering, network disconnected, IP address conflict, illegal login, HDD full, HDD error
Protocols	TCP/IP, ICMP, HTTP, HTTPS, FTP, DHCP, DNS, DDNS, RTP, RTSP, RTCP, PPPoE, NTP, UPnP, SMTP, SNMP, IGMP, 802.1X, QoS, IPv6
General Function	One-key reset, anti-flicker, three streams, heartbeat, password protection, privacy mask, watermark, IP address filter
API	ONVIF (PROFILE S, PROFILE G), ISAPI
Simultaneous Live View	Up to 6 channels
User/Host	Up to 32 users 3 levels: Administrator, Operator and User
Client	CMS, STGO2
Web Browser	IE 8 to 11, Chrome 31.0 to 44 via IE Tab

IR	
IR Distance	Up to 30m (98ft)

General	
Operating Conditions	-30 °C to +60 °C (-22 °F to +140 °F), Humidity 95% or less
Power	12 VDC, 1A, max. 11W PoE (802.3af, 36V to 57V), 0.4A to 0.3A, max. 12.5W
Protection Level	IP67, IK10
Material	Metal
Dimensions	Φ135.8 × 145.5mm (Φ 5.4 × 5.7")
Weight	Camera: 1060g (2.3 lbs)