

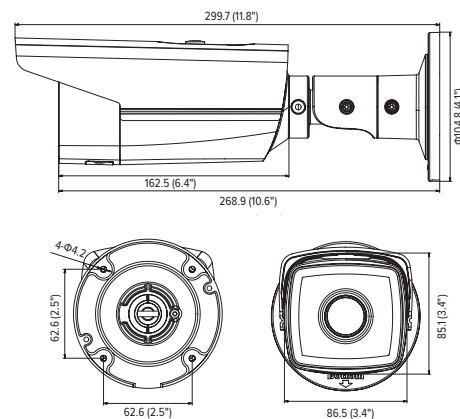
ST-IP8FBL | ST-IP8FBL-2.8

4K / 8MP IP Fixed Lens Bullet Camera

This Ultra HD 4K/8 Mega Pixel, High Resolution, IP fixed lens camera makes it possible to bring out exceptional detail when digitally zooming in on an area of interest during live view or post incident playback review. These cameras transmit and receive video and control data over a single network cable and can be remotely configured across the network for video analytics, such as, object placement, object removal, face detection, and line crossing detection. Additional configuration options are available to trigger alarms, send email alerts, and connectivity to the ST LIVE cloud based platform for retention of recorded video off site. Multiple video streams are available to send video for NVR recording and mobile device streams. The compact design includes an IP67 weather rating, Wide Dynamic Range (WDR) to provide a clear image when a lighting change occurs behind the subject being viewed, and IR LEDs allow the camera to see in total darkness up to 164 feet. The camera can be powered via PoE (Power over Ethernet) or locally with a 12V DC power supply. Power supply not included.



Dimensions



Key Features

- 1/2.5" Progressive Scan CMOS
- 3840 x 2160@15 fps
- 2.8/4mm fixed lens
- Color: 0.01 lux @(F1.2, AGC ON), 0.028 lux @(F2.0, AGC ON), 0 lux with IR
- H.265+, H.265, H.264+, H.264
- 2 Behavior analyses
- 120dB WDR
- BLC/3D DNR/ROI
- IP67
- Built-in micro SD/SDHC/SDXC card slot, up to 128 GB

Available Accessories



Junction Box Camera Mount
ST-JB5



FREE APP

View from your phone
or mobile device
anytime, anywhere!

STGO2




ST-IP8FBL | ST-IP8FBL-2.8 4K / 8MP IP Fixed Lens Bullet Camera

Camera

Image Sensor	1/2.5" Progressive Scan CMOS
Min. Illumination	Color: 0.01 lux @(F1.2, AGC ON), 0.028 lux @(F2.0, AGC ON), 0 lux with IR
Shutter Speed	1/3 s to 1/100,000 s
Slow Shutter	Yes
Auto-Iris	No
Day & Night	IR Cut Filter
Digital Noise Reduction	3D DNR
WDR	120dB
3-Axis Adjustment	Pan: 0° to 360°, tilt: 0° to 100°, rotate: 0° to 360°

Lens

Focal Length	2.8/4
Aperture	F2.0
Focus	Auto
FOV	2.8 mm, horizontal FOV: 102°, vertical FOV: 53°, diagonal FOV: 124°, 4 mm, horizontal FOV: 79°, vertical FOV: 42°, diagonal FOV: 95°
Lens Mount	M12

IR

IR Range	Up to 164' (50 m)
Wavelength	850nm

Compression Standard

Video Compression	Main stream: H.265/H.264 Sub-stream: H.265/H.264/MJPEG Third stream: H.265/H.264
H.264 Type	Main Profile/High Profile
H.264+	Main stream supports
H.265 Type	Main Profile
H.265+	Main stream supports
Video Bit Rate	32 Kbps to 16 Mbps

Image

Max. Resolution	3840 x 2160
Main Stream	50Hz: 12.5 fps (3840 x 2160), 20fps (3072 x 1728), 25 fps (2560 x 1440, 1920 x 1080, 1280 x 720) 60Hz: 15 fps (3840 x 2160), 20fps (3072 x 1728), 30 fps (2560 x 1440, 1920 x 1080, 1280 x 720)
Sub-Stream	50Hz: 25fps (640 x 480, 640 x 360, 320 x 240) 60Hz: 30fps (640 x 480, 640 x 360, 320 x 240)
Third Stream	50Hz: 25fps (1280 x 720, 640 x 360, 352 x 288) 60Hz: 30fps (1280 x 720, 640 x 360, 352 x 240)
Image Enhancement	BLC/3D DNR
Image Setting	Rotate mode, saturation, brightness, contrast, sharpness adjustable by client software or web browser
Target Cropping	No
Day/Night Switch	Day/Night/Auto/Schedule

Smart Features

Behavior Analysis	Line crossing detection, intrusion detection
Face Detection	Yes
Region of Interest	Support 1 fixed region for main stream and sub-stream

Network

Network Storage	Support Micro SD/SDHC/SDXC card (128G), local storage and NAS (NFS,SMB/CIFS), ANR
Alarm Trigger	Motion detection, video tampering, network disconnected, IP address conflict, illegal login, HDD full, HDD error
Protocols	TCP/IP, ICMP, HTTP, HTTPS, FTP, DHCP, DNS, DDNS, RTP, RTSP, RTCP, PPPoE, NTP, UPnP, SMTP, SNMP, IGMP, 802.1X, QoS, IPv6, Bonjour
General Function	One-key reset, anti-flicker, three streams, heartbeat, mirror, password protection, privacy mask, watermark, IP address filter
API	ONVIF (PROFILE S,PROFILE G), ISAPI
Simultaneous Live View	Up to 6 channels
User/Host	Up to 32 users 3 levels: Administrator, Operator and User
Client	iVMS-4200,Hik-Connect, iVMS-5200
Web Browser	IE8+, Chrome 31.0-44, Firefox30.0-51, Safari 8.0+

Interface

Video Output	No
Communication Interface	1 RJ45 10M/100M self-adaptive Ethernet port
On-board Storage	Built-in microSD/SDHC/SDXC slot, up to 128 GB
SVC	H.264 and H.265 encoding support
Reset Button	Yes

General

Operating Conditions	-22 °F to +140 °F (-30 °C to +60 °C), Humidity 95% or less (non-condensing)
Power Supply	12 VDC ± 25%, Φ 5.5mm coaxial power plug PoE(802.3af, class 3)
Power Consumption and Current	12 VDC, 0.7 A, max. 7.5W PoE: (802.3af, 36V to 57V), 0.3 A to 0.2 A, max. 9W
Protection Level	IP67
Material	Metal
Dimensions	Camera: Φ4.1"x 11.8" (Φ104.8 × 299.7 mm) Package: 15.2"x 6.1" x 6.1" (386 × 156 × 155 mm)
Weight	Camera: 2.7 lb. (1200 g)
Warranty	2-Year Limited Fixed Camera Warranty