

ST-IP4PTZ-4X

4MP IP Mini PTZ Camera with 4x Optical Zoom

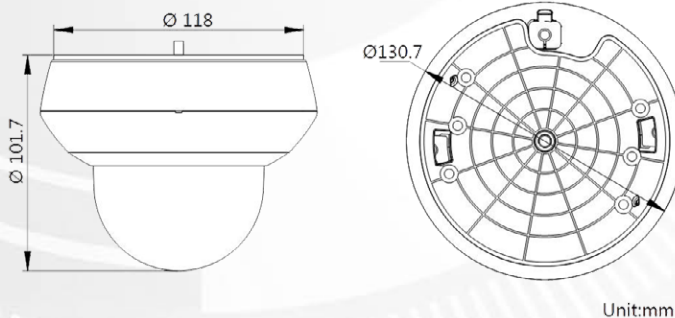
This PTZ is flexible in placement, cost effective, and feature-packed in a compact dome style housing. Zoom in with the 4X optical zoom lens, and provide your customers with more protection utilizing the built-in face detection, intrusion detection, line crossing, object placement and removal detection and tampering alarms. Features include IR capability up to 65ft, a built-in micro SD card slot that supports up to 256GB, NAS (Network Attached Storage) and ANR (Automatic Network Replenishment). Includes 12V DC power supply and is & PoE capable (802.3at).



Key Features

- Up to 2560 × 1440 resolution @ 25fps
- 4× optical zoom, 16× digital zoom
- 120 dB Wide Dynamic Range, 3D Digital Noise Reduction, High Light Compensation
- IK10, IP66
- Supports H.265

Dimensions



Available Accessories



Wall Mount Bracket
ST-IP4PTZ-4X-WMB



ST-IP4PTZ-4X 4MP IP Mini PTZ Camera

Camera Module	
Image Sensor	1/3" progressive scan CMOS
Min. Illumination	Color: 0.005 Lux @(F1.6, AGC (Automatic Gain Control) ON) B/W: 0.001 Lux @(F1.6, AGC ON) 0 Lux with IR (Infrared)
White Balance	Auto/Manual/ATW (Automatic Trace White)/Indoor/Outdoor/Fluorescent Lamp/Sodium Lamp
Gain	Auto/Manual
Shutter Time	50Hz: 1/1 s to 1/30,000s 60Hz: 1/1 s to 1/30,000s
Day & Night	IR Cut Filter
Digital Zoom	16×
Privacy Mask	24 programmable privacy masks
Focus Mode	Auto/Semi-automatic/Manual
WDR	120 dB WDR (Wide Dynamic Range)

Lens	
Focal Length	2.8 mm to 12 mm, 4× optical zoom
Zoom Speed	Approx. 2 s (optical lens, wide to tele)
Field of View	Horizontal field of view: 100° to 33° (wide to tele) Vertical field of view: 53° to 18° (wide to tele) Diagonal field of view: 119° to 37.5° (wide to tele)
Working Distance	10 mm to 1500 mm (wide to tele)
Aperture Range	F1.6 to F2.7

Pan/Tilt/Zoom	
Movement Range (Pan)	0° to 330°
Pan Speed	Configurable, from 0.1°/s to 100°/s, Preset speed: 100°/s
Movement Range (Tilt)	From 0° to 90°
Tilt Speed	Configurable, from 0.1°/s to 100°/s Preset Speed: 100°/s
Proportional Zoom	Supported
Presets	300

Image	
Max. Resolution	2560 × 1440
Main Stream	50Hz: 25fps (2560 × 1440, 2048 × 1536, 1920 × 1080, 1280 × 960, 1280 × 720) 60Hz: 24fps (2560 × 1440), 30fps (2048 × 1536, 1920 × 1080, 1280 × 960, 1280 × 720)
Sub-Stream	50Hz: 25fps (704 × 576, 640 × 480, 352 × 288) 60Hz: 30fps (704 × 480, 640 × 480, 352 × 240)
Third Stream	50Hz: 25fps (1280 × 720, 704 × 576, 640 × 480, 352 × 288) 60Hz: 30fps (1280 × 720, 704 × 480, 640 × 480, 352 × 240)
Image Enhancement	3D DNR (Digital Noise Reduction) / HLC (High Light Compensation) / EIS (Electronic Image Stabilization) / Regional Exposure / Regional Focus

IR	
IR Distance	20 m (65 ft), Smart IR

Smart Features	
Basic Event	Motion Detection, Video Tampering Detection, Exception
Smart Event	Face Detection, Intrusion Detection, Line Crossing Detection, Region Entrance Detection, Region Exiting Detection, Object Removal Detection, Unattended Baggage Detection, Audio Exception Detection
Smart Record	ANR (Automatic Network Replenishment), Dual-VCA (Video Content Analysis)
ROI	Main stream, sub-stream, and third stream respectively supports two fixed areas.

Compression Standard	
Video Compression	Main Stream: H.265+/H.265/H.264+/H.264 Sub-stream: H.265/H.264/MJPEG Third Stream: H.265/H.264/MJPEG SVC Supported
Video Bitrate	32 Kbps to 16384 Kbps
Audio Compression	G.711alaw/G.711ulaw/G.722.1/G.726/MP2L2/PCM
Audio Bitrate	64 Kbps (G.711)/16 Kbps (G.722.1)/16 Kbps (G.726)/32 Kbps to 160 Kbps(MP2L2)

Network	
Network Storage	Built-in memory card slot, support Micro SD/SDHC/SDXC, up to 256 GB; NAS (Network Attached Storage) (NFS, SMB/ CIFS), ANR (Automatic Network Replenishment)
Protocols	IPv4/IPv6, HTTP, HTTPS, 802.1x, Qos, FTP, SMTP, UPnP, SNMP, DNS, DDNS, NTP, RTSP, RTP, TCP/IP, UDP, IGMP, ICMP, DHCP, PPPoE
API	Open-ended, support ONVIF, ISAPI, and CGI, supports HIKVISION SDK and Third-Party Management Platform
Simultaneous Live View	Up to 20 channels
User/Host	Up to 32 users 3 levels: Administrator, Operator and User
Security Measures	User authentication (ID and Password), Host authentication (MAC address); HTTPS encryption; IEEE 802.1x port-based network access control; IP address filtering
Client	STGO2, CMS
Web Browser	IE 8 to 11, Chrome 31.0 to 44 via IE Tab

General	
Power	12 VDC & PoE Max.: 12 W (Max. 3.9 W for IR)
Working Temperature	-20°C to 60°C (-4°F to 140°F)
Working Humidity	≤ 90%
Protection Level	IP66 Standard, IK10, TVS 4000V Surge Protection, Surge Protection and Voltage Transient Protection
Material	Aluminum alloy, PC, PC+ABS
Dimensions	Φ 130.7 mm × 101.7 mm (Φ 5.15" × 4.00")
Weight	Approx. 0.53 kg (1.17 lb)