

ST-IP4FTD-CNV-2.8 | ST-IP4FTD-CNV ST-IP4FTD-CNV-2.8B | ST-IP4FTD-CNV-B

4 MP Chroma IP Fixed Turret Dome Camera

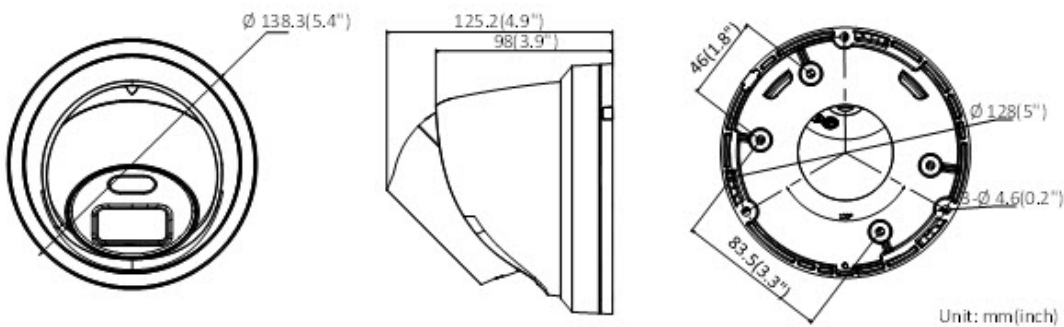
The Chroma surveillance camera series provides color night vision video, and will capture color images in low lighting or no lighting environments. standard infrared surveillance cameras are designed to shift to black & white video in low or no lighting, making it difficult to identify any details related to object color. With the Securitytronix Chroma technology, you are now able to identify colors across image examples such as hair, clothing, license plate, and vehicle, whether day or night.



Key Features

- 4 MP
- Max. 2688 × 1520 @30fps
- 24/7 Full Time Color
- 2.8/4 mm fixed focal lens
- H.265+, H.264+
- 120dB WDR
- 0.0014 @ (F1.0, AGC ON), 0 Lux with Light
- Built-in micro SD/SDHC/SDXC slot, up to 128G
- Built-in mic
- IP66

Dimensions



Available Accessories



Wall Mount
ST-WM4



Junction Box
ST-JB3



ST-IP4FTD-CNV-2.8 | ST-IP4FTD-CNV | ST-IP4FTD-CNV-2.8B | ST-IP4FTD-CNV-B

4 MP Chroma IP Fixed Turret Dome Camera

Camera	
Image Sensor	1/1.8" Progressive Scan CMOS
Min. Illumination	0.0014 @ (F1.0, AGC ON), 0 Lux with Light
Shutter Speed	1/3 s to 1/100,000 s
Slow Shutter	Yes
DNR	3D DNR
WDR (Wide Dynamic Range)	120 dB
Angle Adjustment	Pan: 0° to 360°, tilt: 0° to 75°, rotate: 0° to 360°

Lens	
Focal length	2.8/4 mm
Aperture	F1.0
Focus	Fixed
FOV	2.8 mm, horizontal FOV: 109°, vertical FOV: 55°, diagonal FOV: 138° 4 mm, horizontal FOV: 94°, vertical FOV: 48°, diagonal FOV: 115°
Lens Mount	M16

Illuminator	
White Light Range	Warm white LEDs (3000K), up to 30m

Compression Standard	
Video Compression	Main stream: H.265+/H.265/H.264+/H.264 Sub-stream: H.265/H.264/MJPEG Third stream: H.265/H.264
H.264 Type	Main Profile/High Profile
H.265 Type	Main Profile
Video Bit Rate	32 Kbps to 16 Mbps

Smart Features Set	
Behavior Analysis	Line crossing detection, intrusion detection, object removal detection, unattended baggage detection
Exception Detection	Scene change detection
Face Detection	Yes

Interface	
Communication Interface	1 RJ45 10M/100M self-adaptive Ethernet port
On-board Storage	Built-in micro SD/SDHC/SDXC slot, up to 128 GB
Reset Button	Yes
Audio (-U)	1 audio input (built-in mic), mono sound

Audio (-U)	
Environment Noise Filtering	Yes
Sampling Rate	8kHz/16kHz/32kHz/44.1kHz/48kHz
Audio Compression	G.711/G.722.1/G.726/MP2L2/PCM
Audio Bit Rate	64Kbps(G.711)/16Kbps(G.722.1)/16Kbps(G.726)/32-160Kbps(MP2L2)

Image	
Max. Resolution	2688 × 1520
Main Stream	50Hz: 25fps (2688 × 1520, 2560 × 1440, 2304 × 1296, 1920 × 1080, 1280 × 720) 60Hz: 30fps (2688 × 1520, 2560 × 1440, 2304 × 1296, 1920 × 1080, 1280 × 720)
Sub-Stream	50Hz: 25fps (640 × 480, 640 × 360, 320 × 240) 60Hz: 30fps (640 × 480, 640 × 360, 320 × 240)
Third stream	50Hz: 25fps (1280 × 720, 640 × 360, 352 × 288) 60Hz: 30fps (1280 × 720, 640 × 360, 352 × 240)
Image Enhancement	BLC/3D DNR/HLC
Image Settings	Rotate mode, saturation, brightness, contrast, sharpness, AGC, white balance adjustable by client software or web browser
Day/Night Switch	Day/Night
ROI (Region of Interest)	Support 1 fixed region for main stream and sub-stream separately

Network	
Network Storage	Support micro SD/SDHC/SDXC card (128G) local storage, NAS (NFS,SMB/CIFS), ANR
Alarm Trigger	Motion detection, video tampering detection, network disconnected, IP address conflict, illegal login, HDD full, HDD error
Protocols	TCP/IP, ICMP, HTTP, HTTPS, FTP, DHCP, DNS, DDNS, RTP, RTSP, RTCP, PPPoE, NTP, UPnP, SMTP, SNMP, IGMP, 802.1X, QoS, IPv6, UDP, Bonjour
General Function	One-key reset, anti-flicker, three streams, heartbeat, mirror, password protection, privacy mask, watermark, IP address filter
Firmware Version	V5.5.82
API	ONVIF (PROFILE S, PROFILE G), ISAPI
Simultaneous Live View	Up to 6 channels
User/Host	Up to 32 users 3 levels: Administrator, Operator and User
Client	STGO2, Guarding Vision Client
Web Browser	Plug-in required live view: IE8+, Chrome 41.0-44, Firefox 30.0-51, Safari 8.0-11 Plug-in free live view: Chrome 45.0+, Firefox 52.0+

General	
Operating Conditions	-22 °F to 140 °F (-30 °C to 60 °C), humidity: 95% or less (non-condensing)
Power Supply	12 VDC ± 25%, Φ 5.5 mm coaxial power plug PoE (802.3af, class 3)
Power Consumption	12 VDC, 0.5 A, max. 6 W PoE: (802.3af, 36 V to 57 V), 0.3 A to 0.1 A, max. 7.5 W
Protection Level	-L model: IP67, -LU model: IP66
Material	Camera: Metal, trim ring: Plastic
Dimensions	Camera: Φ 5.4" × 4.9" (Φ 138.3 × 125.2 mm) With package: 7" × 7" × 5.9" (170 × 170 × 150 mm)
Weight	Camera: 1.3 lb. (575 g) With package: 1.8 lb. (833 g)
Warranty	2-Year Limited Fixed Camera Warranty

800-460-1801 | sales@securitytronix.com | www.securitytronix.com

ST-IP4FTD-CNV-2.8 | ST-IP4FTD-CNV | ST-IP4FTD-CNV-2.8B | ST-IP4FTD-CNV-B | 09162021