

4MP IP Fixed Lens Mini-Dome Camera



Features:

- Up to 4 megapixel high resolution
- Full HD 2560 x 1440 @ 30fps video
- Three streams
- 2.8mm or 4.0mm fixed lens
- 120dB Wide dynamic range
- 3D Digital noise reduction
- Backlight compensation
- Region of interest
- Black or white housing
- DC12V & PoE
- H.265+, H.265, H.264+, H.264
- Up to 98' IR range
- 3-axis adjustment
- IP67 weather-proof protection
- IK10 Vandal rating
- 2 Behavior analyses and face detection



Camera

Image sensor	1/3" Progressive Scan CMOS
Min. illumination	0.01Lux @ (F1.2, AGC ON), 0 Lux with IR
Shutter Speed	1/3 s to 1/100,000 s
Lens Options	2.8mm: horizontal FOV 98°, vertical FOV 55°, diagonal FOV 114° 4.0mm: horizontal FOV 78°, vertical FOV 42°, diagonal FOV 93°
Lens mount	M12
Day & Night	IR cut filter
Digital noise reduction	3D DNR
Wide Dynamic Range	120dB
Pan & Tilt Rotation	Pan: 0° - 355°, Tilt: 0° - 75°, Rotation: 0° - 355°
Video compression	
Main stream	H.265 / H.264
Sub-stream	H.265 / H.264 / MJPEG
Third stream	H.265 / H.264
Video bit rate	32 Kbps – 16 Mbps
Audio compression	G.711/G.722.1/G.726/MP2L2/PCM
Audio bit rate	64Kbps(G.711)/16Kbps(G.722.1)/16Kbps(G.726)/32-192Kbps(MP2L2)
Behavior analysis	Line crossing detection, intrusion detection
Face detection	Yes
Region of interest	1 fixed region for main stream and sub-stream

Image

Max. Image Resolution	2560 x 1440
Frame rate	
Main stream	50Hz:25fps (2560 × 1440, 2304 × 1296, 1920 × 1080) 60Hz: 30fps (2560 × 1440, 2304 × 1296, 1920 × 1080)
Sub-stream	50Hz: 25fps (640 × 480, 640 × 360, 320 × 240) 60Hz: 30fps (640 × 480, 640 × 360, 320 × 240)
Third stream	50Hz: 25fps (1280 × 720, 640 × 360, 352 × 288) 60Hz: 30fps (1280 × 720, 640 × 360, 352 × 240)
Image enhancement	BLC / 3D DNR
Day / Night switch	Auto / Schedule / triggered by alarm in
Image settings	Rotate mode, Saturation, Brightness, Contrast, Sharpness adjustable by client software or web browser
ROI	Supported



Free STGO2 mobile app for iOS & Android

Ordering Information:

ST-IP4FD	4MP IP 4mm Fixed Lens Mini-Dome Camera with IR, white housing
ST-IP4FD-2.8	4MP IP 2.8mm Fixed Lens Mini-Dome Camera with IR, white housing
ST-IP4FD-BLK	4MP IP 4mm Fixed Lens Mini-Dome Camera with IR, black housing
ST-IP4FD-2.8-BLK	4MP IP 2.8mm Fixed Lens Mini-Dome Camera with IR, black housing

4MP IP Fixed Lens Mini-Dome Camera



Network

Network storage	Supports Micro SD/SDHC/SDXC card (128G), local storage and NAS (NFS,SMB/CIFS), ANR
Alarm trigger	Motion Detection, Tampering alarm, Network disconnect , IP address conflict, Storage exception, illegal login, HDD full, HDD error
Protocols	TCP/IP,ICMP,HTTP,HTTPS,FTP,DHCP,DNS,DDNS,RTP,RTSP,RTCP, PPPoE,NTP,UPnP,SMTP,SNMP,IGMP,802.1X,QoS,IPv6,Bonjour
General	One-key reset, anti-flicker, three streams, Flash-prevention, heartbeat, mirror, password protection, privacy mask, watermark, IP address filtering
Standard	ONVIF (Profile S, Profile G), ISAPI
Client	Central management software
Simultaneous live view	Up to 6 channels
User / host	Up to 32 users, 3 levels: administrator, operator and user
Web browser	IE8+, Chrome 31.0-44, Firefox 30.0-51, Safari 8.0+

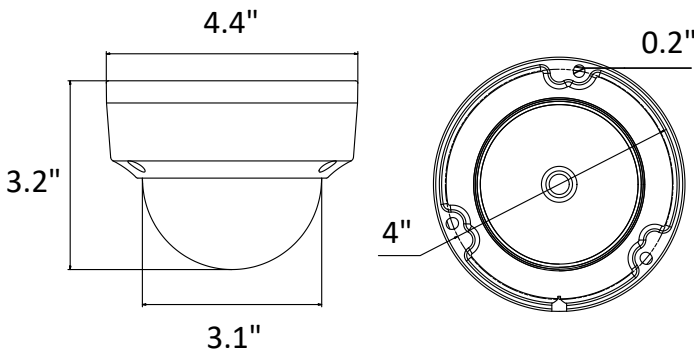
Interface

Audio	1 input (line in/mic.in), 1 output (line out), terminal block, mono sound
Communication Interface	1 RJ45 10M/100M Ethernet interface
Alarm	1 input, 1 output (up to 12 VDC, 30 mA), terminal block
On-Board Storage	Built in micro SD/SDHC/SDXC slot up to 128GB
Reset	Yes

General

Operating conditions	-30 °C – 60 °C (-22 °F – 140 °F)
Humidity	95% or less (non-condensing)
Power supply	12 VDC ± 25%, 5.5mm coaxial power plug, PoE (802.3af, class 3) (not included)
Power consumption	12 VDC, 0.5A, max. 6W
Protection level	IP67, IK10 TVS 2000V Lightning Protection, Surge Protection and Voltage Transient Protection
IR Range	Up to 98 Feet
Dimensions	111 × 82mm (4.4 × 3.2")
Weight	Camera: Approx. 610g (1.3 lbs) Camera with packaging: Approx. 820g (1.8lbs)

Dimensions



ST-WM1
Wall mount for
ST-IP4FD



ST-JB1
Junction box for
ST-IP4FD