

ST-IP4FB

4MP IP Fixed Lens Mini-Bullet Camera



Features:

- Up to 4 megapixel high resolution
- Full HD1080p video
- Dual video streams
- 4mm fixed lens
- 120dB Wide Dynamic Range
- 3D Digital Noise Reduction
- Backlight Compensation
- DC12V & PoE
- Supports H.264 & H.264+
- Up to 98' IR range
- 3-axis adjustment
- IP66 weather-proof protection
- Metallic housing & bracket



Camera

Image sensor	1/3" Progressive Scan CMOS
Min. illumination	0.01Lux @ (F1.2, AGC ON), 0 Lux with IR 0.028Lux @ (F2.0, AGC ON), 0 Lux with IR
Shutter Speed	1/3 s to 1/100,000 s
Lens	4mm@ F2.0, Angle of view: 83°
Lens mount	M12
Day & Night	IR cut filter with auto switch
Digital noise reduction	3D DNR
Wide Dynamic Range	120dB
Video compression	H.264 / MJPEG
Video Bit Rate	32 Kbps – 8 Mbps
Dual stream	Yes

Image

Max. Image Resolution	2688X1520
Frame rate	50Hz: 20fps (2688×1520), 25fps(1920×1080), 25fps(1280×720) 60Hz: 20fps (2688×1520), 30fps (1920×1080), 30fps(1280×720)
Image settings	Rotate mode, Saturation, Brightness, Contrast, Sharpness adjustable by client software or web browser
Backlight compensation	Yes, zone optional
ROI	Supported

Network

Network storage	NAS (Support NFS,SMB/CIFS), ANR
Alarm trigger	Motion Detection, Tampering alarm, Network disconnect , IP address conflict, Storage exception
Protocols	TCP/IP,ICMP,HTTP,HTTPS,FTP,DHCP,DNS,DDNS,RTP,RTSP,RTCP, PPPoE,NTP,UPnP,SMTP,SNMP,IGMP,802.1X,QoS,IPv6
General	One-key reset, Flash-prevention, dual stream, heartbeat, mirror, password protection, privacy mask, watermark, IP address filtering, Anonymous access
Standard	ONVIF (Profile S, Profile G), PSIA, CGI, ISAPI

Interface

Communication Interface 1 RJ45 10M/100M Ethernet interface

Ordering Information:

ST-IP4FB 4MP IP Fixed Lens Mini-Bullet Camera with IR



**Free STGO2
mobile app
for iOS &
Android**

ST-IP4FB

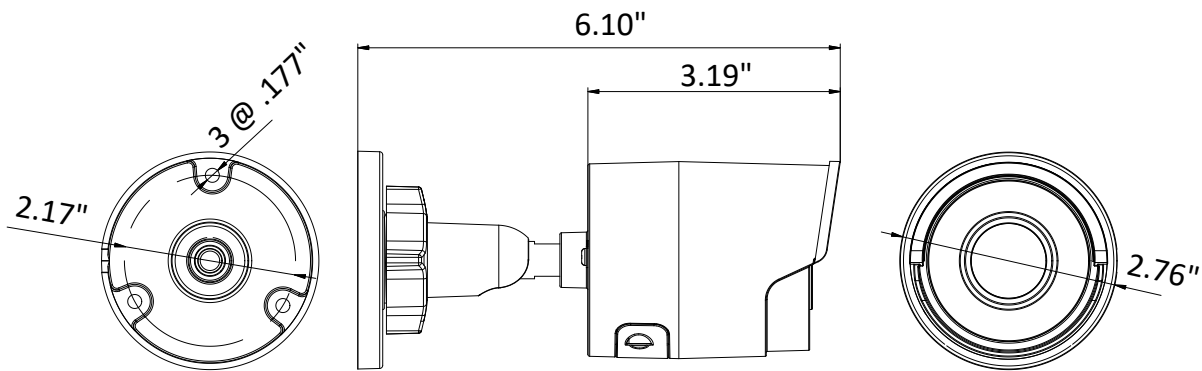
4MP IP Fixed Lens Mini-Bullet Camera



General

Operating conditions	-30 °C – 60 °C (-22 °F – 140 °F)
Humidity	95% or less (non-condensing)
Power supply	12 VDC ± 10% , PoE (802.3af) (not included)
Power consumption	5W MAX (Max. 7 W w/ IR cut filter on)
Ingress Protection level	IP66
IR Range	Up to 98 Feet
Dimensions	60.4×76.9×139.2mm (2.4" × 3.0" × 5.5")
Weight	500g (1.1 lbs)

Dimensions



ST-JBMB
Junction box for
ST-IP4FB

Ordering Information:

ST-IP4FB 4MP IP Fixed Lens Mini-Bullet Camera with IR