

ST-HDC5VFD-MZ

5MP TVI Motorized Varifocal Dome Camera

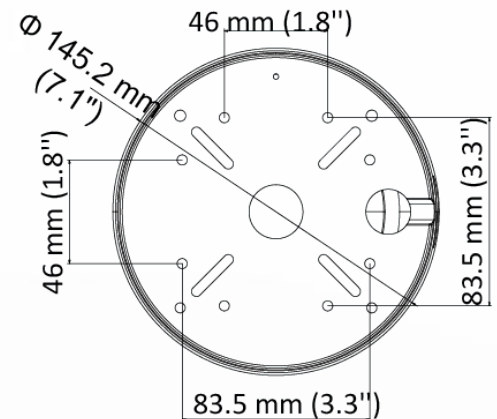
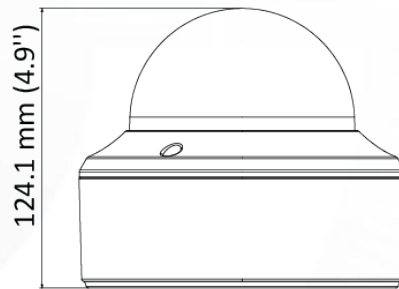
The HD-COAXINATOR™ TVI 5MP HD-over-Coax motorized zoom varifocal dome camera is designed to provide superior picture quality with the flexibility to aim, zoom and focus the camera at a recorder, or using a test meter to make the installation process simpler and safer.



Key Features

- 2592 × 1944 resolution @ 20fps
- 2.8mm to 12mm varifocal lens
- Motorized zoom & focus
- Smart IR up to 131ft
- IP67 weather rating
- Control over Coax

Dimensions



Related Items



Junction Box
ST-JB2



4/8/16 Ch TVI Recorder
ST-HDC4-5MP
ST-HDC8-5MP
ST-HDC16-5MP



12V DC Power Supply
ST-PS12VDC2A



UTP Balun Kit
ST-CCTV-VBP-KIT

ST-HDC5VFD-MZ 5MP TVI Motorized Varifocal Dome Camera

Camera	
Image Sensor	5 MP CMOS image sensor
Effective Pixels	2592 (H) × 1944 (V)
Min. illumination	Color: 0.01 Lux @ (F1.2, AGC (Automatic Gain Control) ON), 0 Lux with IR (Infrared)
Shutter Time	PAL: 1/25s to 1/50,000s NTSC: 1/30s to 1/50,000s
Lens	2.8 to 12mm motorized varifocal lens
Horizontal Field of View	86.8° to 27.7° (2.8 to 12mm)
Lens Mount	Φ14
Day & Night	ICR (Infrared Cut-filter Removal)
Angle Adjustment	Pan: 0° to 340°; Tilt: 0° to 75°; Rotate: 0° to 355°
Synchronization	Internal synchronization
Video Frame Rate	2592 × 1944 @ 20fps
HD Video Output	1 HD analog output

Menu	
AGC	Supported
D/N Mode	Auto / Color / BW (Black and White)
White Balance	ATW (Automatic Trace White) / Manual
BLC (Back Light Compensation)	Supported
Language	English, Chinese
Functions	Brightness, Sharpness, DNR (Digital Noise Reduction), Mirror, Bad Pixel Correction, Smart IR

General	
Operating Conditions	-40 °C to 60 °C (-40 °F to 140 °F), humidity: 90% or less (non-condensing)
Power Supply	12 V DC±20% 24 V AC±20%
Power Consumption	Max. 6.5W
Protection Level	IP67
IR Range	Up to 40m (131ft)
Communication	Control over Coax, Protocol: UTC-C
Dimensions	Φ 145.2mm × 124.1mm (Φ 5.72" × 4.89")
Weight	Approx. 1600g (3.53lbs)