

ST-HDC2FB-CNV-2.8 | ST-HDC2FB-CNV

2MP Chroma 4 in 1 Fixed Lens Mini Bullet Camera

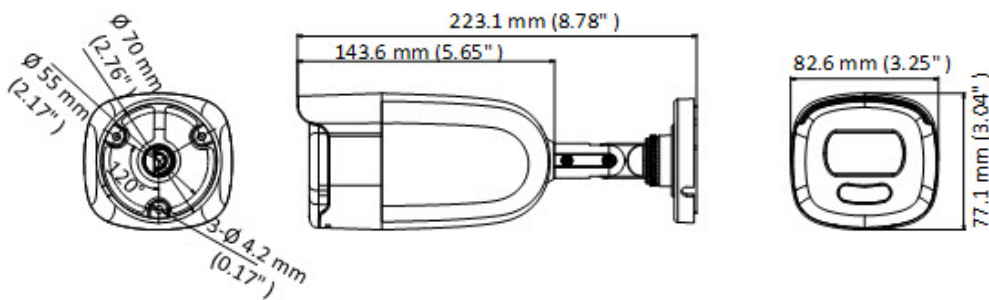
The Chroma series provides 24/7 color night vision capturing color images or video in low lit locations while standard IR cameras would automatically shift to black and white mode. With Chroma technology it is easy to identify clothing color, hair color, license plates and vehicles with clear color images whether day or night and with vivid detail. This camera is high definition 2MP resolution bullet camera with 4 in 1 TVI/AHD/CVI/CVBS connectivity. It is available in both 2.8mm & 3.6mm fixed lens, and can easily be intergrated into any existing coax infrastructure or new commercial or residential install. Power supplies sold separate. Use ST-PS12VDC2A or ST-PBX12V*.



Key Features

- 2 MP high performance CMOS
- 1920 × 1080 resolution
- 24/7 Full Time Color
- 2.8/3.6 mm fixed lens
- Light Range: Up to 131' (40m)
- OSD menu, 3D DNR, True WDR
- 4 in 1 video output (switchable TVI/AHD/CVI/CVBS)
- Up the Coax (UTC)
- IP67

Dimensions



Available Accessories



Junction Box
ST-JBMB

FREE APP
View from your phone
or mobile device
anytime, anywhere!

STG02

ST-HDC2FB-CNV-2.8 | ST-HDC2FB-CNV

2MP Chroma 4 in 1 Fixed Lens Mini Bullet Camera

Camera	
Image Sensor	2 MP CMOS image sensor
Resolution	1920 (H) × 1080 (V)
Frame Rate	PAL: 1080p@25fps NTSC: 1080p@30fps
Min. Illumination	Color: 0.0005 Lux @ (F1.0, AGC ON), 0 Lux with white light
Shutter Time	PAL: 1/25 s to 1/50, 000 s NTSC: 1/30 s to 1/50, 000 s
Lens	2.8, 3.6 mm fixed lens
Horizontal Field of View	99.7° (2.8 mm), 83.6° (3.6 mm)
Lens Mount	M16
Day & Night	Color
Angle Adjustment	Pan: 0° to 360°; Tilt: 0° to 180°; Rotate: 0° to 360°
Synchronization	Internal synchronization
WDR (Wide Dynamic Range)	120 dB

Menu	
AGC	Yes
White Balance	Auto/Manual
BLC (Backlight Compensation)	Yes
Privacy Mask	4 programmable privacy masks
Motion Detection	4 programmable areas
WDR	Yes
Functions	Brightness, Sharpness, 3D DNR, Mirror, Smart light

Interface	
Video Output	1 HD analog output
Switch Button	TVI/AHD/CVI/CVBS

General	
Operating Conditions	-40 °F to 140 °F (-40 °C to 60 °C), humidity: 90% or less (non-condensing)
Power Supply	12 VDC ±25%
Power Consumption	Max. 4.2 W
Protection Level	IP67
Material	Metal
White Light	Up to 131' (40m)
Communication	UTC (Up the coax)
Dimensions	8.78" × 3.04" × 3.25" (223.1 mm × 77.1 mm × 82.6 mm)
Weight	Approx. 0.96 lb. (436 g)
Warranty	2-Year Limited Fixed Camera Warranty