

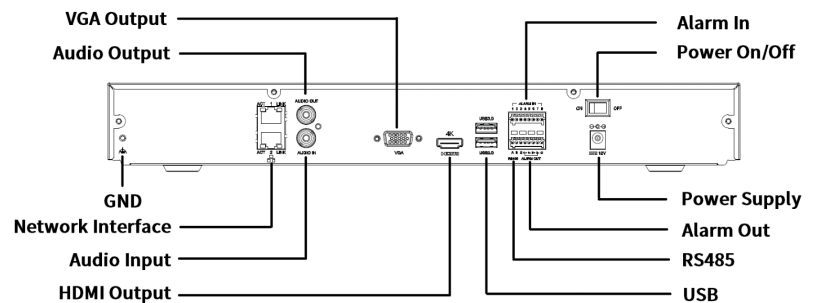
ST-GNVR32

32 Channel Network Video Recorder

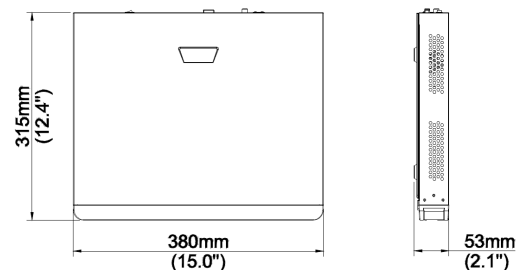


Key Features

- Support Ultra H.265/H.265/H.264 video formats
- 32 channel
- Supports mainstream cameras of ONVIF conformance(Profile S, Profile G, Profile T) and RTSP protocols
- Supports 1-ch HDMI, 1-ch VGA. HDMI up to 4K (3840 x 2160) resolution
- HDMI and VGA independent outputs provided
- Up to 12 Megapixels resolution recording
- 2 SATA HDDs, Up to 6TB for each HDD
- Various fisheye dewarping modes for live view and playback for both web interface and GUI
- ANR technology: back up storage feature for when the network is disconnected
- Supports cloud upgrade



Dimensions



Available Accessories



- Hard Drive
- WD10PURX
 - WD20PURX
 - WD30PURX
 - WD40PURX
 - WD60PURX

ST-GNVR32 32 Channel Network Video Recorder

Video/Audio Input

IP Video Input	32-ch
Two-way Audio Input	1-ch, RCA

Network

Incoming Bandwidth	320Mbps
Outgoing Bandwidth	320Mbps
Remote Users	128
Protocols	TCP/IP, P2P, UPnP, NTP, DHCP, PPPoE, HTTP, HTTPS, DNS, DDNS, SNMP, SMTP, NFS

Video/Audio Output

HDMI/VGA Output	VGA: 1920 x 1080p/60Hz, 1920 x 1080p/50Hz, 1600 x 1200/60Hz, 1280 x 1024/60Hz, 1280 x 720/60Hz, 1024 x 768/60Hz HDMI: 4K (3840 x 2160)/30Hz, 1920 x 1080p/60Hz, 1920 x 1080p/50Hz, 1280 x 1024/60Hz, 1280 x 720/60Hz, 1024 x 768/60Hz
Recording Resolution	12MP/8MP/6MP/5MP/4MP/3MP/1080p/960p/720p/D1/2CIF/CIF
Audio Output	1-ch, RCA
Audio Compression	G.711A, G.711U
Synchronous Playback	16-ch
Live view display	1/4/6/8/9/16/25/36
Corridor Mode Screen	3/4/5/7/9/10/12/16/32

Snapshot

FTP/Schedule/Event Snapshot	16-ch snapshot, up to 1080P resolution
-----------------------------	--

Decoding

Decoding Format	Ultra 265, H.265, H.264
Live View/Playback	12MP/8MP/6MP/5MP/4MP/3MP/1080p/960p/720p/D1/2CIF/CIF
Capability	1 x 12MP@30, 2 x 4K@30, 5 x 4MP@30, 10 x 1080P@30, 22 x 720P@30, 32 x D1

Hard Disk

SATA	2 SATA interfaces
Capacity	up to 6TB for each HDD
eSATA	NA
Disk Group	Supported

General Alarm

General Alarm	Motion, tampering, human body detection, video loss, input alarm, audio detection
Alert Alarm	IP Conflict, Network Disconnected, Disk offline, Disk Abnormal, Illegal Access, Hard disk space low, Hard disk full, Recording/Snapshot Abnormal

External Interface

Network Interface	2 RJ45 10M/100M/1000M self-adaptive Ethernet Interfaces
USB Interface	Front panel: 1 x USB 2.0, Rear panel: 1 x USB 2.0 1 x USB 3.0
RS232	NA
RS485	1
Alarm In	8-ch
Alarm Out	2-ch

Certifications

Certifications	UL, CE, FCC, RoHS, WEEE
----------------	-------------------------

General

Power Supply	12VDC/3.3A Power Consumption: ≤ 12 W (without HDD)
Working Environment	14 - 131°F (-10 - 55°C), Humidity ≤ 90% RH (non-condensing)
Dimensions (W×D×H)	15.0" × 12.4" × 2.1" (380 x 315 x 53 mm)
Weight (without HDD)	3.97 lb (≤ 1.8 kg)
Warranty	2-Year Limited Warranty