

## ST-GIP8FTD-CNV-2.8

### 4K HD Intelligent Fixed Turret Network Camera

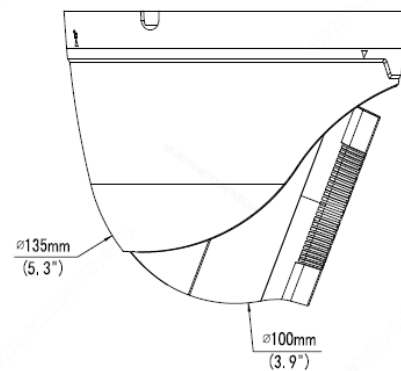
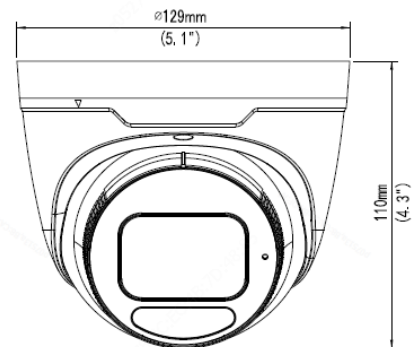


#### Key Features

- High quality image with 8MP, 1/1.8" CMOS sensor
- 8MP (3840 x 2160)@ 30(AI off)/25fps; 5.3MP (3072 x 1728)@ 30/25fps; 3.6MP (2560 x 1440) @30/25fps; 2MP (1920 x 1080) @30/25fps; 720P (1280 x 720), Max 30/25fps
- Ultra 265, H.265, H.264, MJPEG
- Smart intrusion prevention, includes cross line, intrusion, enter area, leave area detection
- Based on target classification, smart intrusion prevention significantly reduces false alarms caused by leaves, birds and lights etc., accurately focuses on humans, motor vehicles and non-motor vehicles
- Intelligent face capture
- Intelligent People Flow Counting and Crowd Density Monitoring
- This cameras technology ensures 24-hour full-color images
- F1.0 Super aperture
- 120dB true WDR technology provides clear image in bright, highly lit areas
- Supports 9:16 corridor Mode
- Alarm: 1 in/1 out, Audio: 1 in/1 out
- Supports 256 GB micro SD card
- IK10 vandal resistant and IP67 weather rating



#### Dimensions



#### Available Accessories



Junction Box  
ST-GJB03-E



Wall Mount  
ST-GWM03-C

# ST-GIP8FTD-CNV-2.8 4K HD Intelligent Fixed Turret Network Camera

Camera					
Sensor	1/1.8", 8.0 megapixel, progressive scan, CMOS				
Lens	2.8mm@F1.0				
DORI Distance	Lens	Detect	Observe	Recognize	Identify
	2.8 mm	68.9yds (63 m)	27.5 yds (25.2m)	13.7 yds (12.6m)	6.9 yds (6.3 m)
Angle Of View (H)	110.15°				
Angle Of View (V)	59.06°				
Angle Of View (O)	143.19°				
Adjustment Angle	Pan: 0°-360°		Tilt: 0°-72°		Rotate: 0°-360°
Shutter	Auto/Manual, shutter time: 1 - 1/100000s				
Minimum Illumination	Colour: 0.001Lux (F1.0, AGC ON)				
S/N	>56dB				
WDR	120dB				
LED Distance	Up to 98ft (30m)				
LEDs Number	2				
LED On/Off Control	Auto/Manual				

Video	
Video Compression	Ultra 265, H.265, H.264, MJPEG
H.264 Code Profile	Baseline profile, Main profile, High profile
Frame Rate	Main Stream: 4MP (2688 x 1520), Max 25fps; 4MP (2560 x 1440), Max 25fps; 3MP (2304 x 1296), Max 30fps; 1080P (1920 x 1080), Max 30fps Sub Stream: 720P (1280 x 720), Max 30fps; D1 (720 x 576), Max 30fps; 640 x 360, Max 30fps; 2CIF (704 x 288), Max 30fps; CIF (352 x 288), Max 30fps Third Stream: D1 (720 X 576), Max 30fps; 640 x 360, Max 30fps; 2CIF(704 X 288), Max 30fps; CIF(352 X 288), Max 30fps
Video Bit Rate	128 Kbps-16 Mbps
U-code	Supported
ROI	Up to 8 areas
Video Stream	Triple streams
OSD	Up to 8 OSDs
Privacy Mask	Up to 4 areas

Image	
White Balance	Auto/Outdoor/Fine Tune/Sodium Lamp/Locked/Auto2
Image Setting	Image rotation, brightness, saturation, contrast, sharpness, gain adjustable by web browser
Digital Noise Reduction	2D/3D DNR
Smart IR	Supported
Flip	Normal/Vertical/Horizontal/180°/90°Clockwise/90°Anti-clockwise
Dewarping	N/A
HLC	Supported
BLC	Supported
Defog	Digital Defog

Smart	
Smart intrusion prevention	Supports false alarm filtering: Line crossing detection, Intrusion detection, Region entrance detection, Region exit detection
Face capture	Supported
Statistical Analysis	Supports people counting, tripwire people counting, and area people counting

Event	
Behavior Detection	Motion detection, tampering alarm, audio detection
General Function	Watermark, IP address filtering, alarm input, alarm output, access policy, ARP protection, RTSP authentication, user authentication

Audio	
Audio Compression	G.711
Audio Bitrate	64 Kbps
Two-way audio	Supported
Suppression	Supported
Sampling Rate	8KHZ

Storage	
Edge Storage	Micro SD, up to 256 GB
Network Storage	ANR, NAS(NFS)

# ST-GIP8FTD-CNV-2.8 4K HD Intelligent Fixed Turret Network Camera

Network	
Protocols	IPv4, IGMP, ICMP, ARP, TCP, UDP, DHCP, PPPoE, RTP, RTSP, RTCP, DNS, DDNS, NTP, FTP, UPnP, HTTP, HTTPS, SMTP, 802.1x, SNMP, QoS, RTMP,SSL/TLS, SSH
Compatible Integration	ONVIF (Profile S, Profile G, Profile T), API,SDK
User/Host	Up to 32 users. 2 user levels: administrator and common user
Security	Password protection, Strong password, HTTPS encryption, Export operation logs, Basic and digest authentication for RTSP, Digest authentication for HTTP, TLS 1.2, WSSE and digest authentication for ONVIF
Client	ST-Station, Guard Station, STVU, Guard Viewer, Star4Live
Web Browser	Plug-in required live view: IE9+, Chrome 41 and below, Firefox 52 and below Plug-in free live view: Chrome 57.0+, Firefox 58.0+, Edge 16+

Interface	
Audio I/O	Input: impedance 35kΩ; amplitude 2V [p-p] Output: impedance 600Ω; amplitude 2V [p-p]
Alarm I/O	1/1
RS485	N/A
Built-in Mic	Mono Sound
Built-in Speaker	N/A
WIFI	N/A
Network	1 RJ45 10M/100M Base-TX Ethernet
Video Output	N/A

Certifications	
EMC	FCC CFR 47 Part 15, EN 55032:2015 EN 55024:2010, EN 61000-3-2:2014 EN 61000-3-3-2013
Safety	IEC 62368-1, EN 62368-1, UL 62368-1
Environment	CE-ROHS (2011/65/EU;(EU)2015/863); WEEE (2012/19/EU); REACH (Regulation (EC) No 1907/2006)

General	
Power	DC 12V±25%, PoE (IEEE 802.3af) Power consumption: Max 11W
Power Interface	Ø 5.5mm coaxial power plug
Dimensions (L × W × H)	Φ5.1" x 4.3" (Φ129 x 110 mm)
Net Weight	1.41 lb (0.64kg)
Material	Metal
Working Environment	-22 - 140°F (-30 - 60°C), Humidity: ≤95% RH (non-condensing)
Storage Environment	-22 - 140°F (-30 - 60°C), Humidity: ≤95% RH (non-condensing)
Surge Protection	4KV
Ingress Protection	IP67
Vandal Resistant	IK10
Reset Button	Supported
Warranty	2-Year Limited Warranty