

## ST-GIP8FD-2.8

### 4K HD Vandal-resistant IR Fixed Dome Network Camera

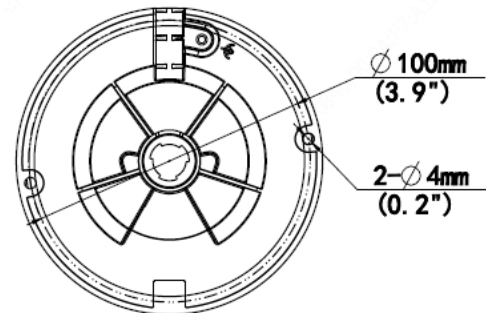
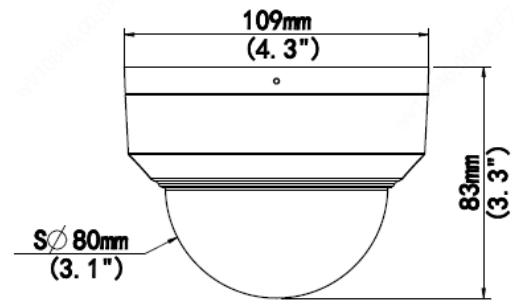


#### Key Features

- High quality image with 8MP, 1/2.7" CMOS sensor
- 8MP (3840 x 2160)@20fps; 5MP (3072 x 1728)@30/25fps; 4MP (2560 x 1440)@30/25fps; 2MP (1920 x 1080) @30/25fps
- Ultra 265, H.265, H.264, MJPEG
- EasyStar technology ensures high image quality in low illumination environment
- 120dB true WDR technology provides a clear image in bright areas
- Supports 9:16 Corridor Mode
- Built-in Mic
- Smart IR, up to 98ft (30m) IR distance
- Supports 256 GB Micro SD card
- IK10 vandal resistant
- IP67 weather rating
- Supports PoE power supply
- 3-Axis



#### Dimensions



#### Available Accessories



Junction Box  
ST-GJB03-B



Wall Mount  
ST-GWM03-A

# ST-GIP8FD-2.8 4K HD Vandal-resistant IR Fixed Dome Network Camera

Camera	
Sensor	1/2.7", 8.0 megapixel, progressive scan, CMOS
Minimum Illumination	Easystar: Colour: 0.005Lux ( F1.6, AGC ON) 0 Lux with IR on
Day/Night	IR-cut filter with auto switch (ICR)
Shutter	Auto/Manual, 1~1/100000 s
Adjustment angle	Pan: 0° to 360°, Tilt: 0° to 68°, Rotate: 10° to 360°
S/N	>56dB
WDR	120dB

Lens	
Lens Type	2.8mm@1.6, Fixed-focal
Lens Mount	M12
Angle of View (H)	112.9°
Angle of View (V)	59.1°
Angle of View (D)	121.2°

DORI					
DORI Distance	Lens	Detect	Observe	Recognize	Identify
	2.8 mm	91.8 yds (84 m)	36.7 yds (33.6 m)	18.4 yds (16.8 m)	9.1 yds (8.4 m)

Illuminator	
IR Range	Up to 98 ft (30m) IR range
Wavelength	850nm
IR On/Off Control	Auto/Manual

Video	
Video Compression	Ultra 265, H.265, H.264, MJPEG
H.264 code profile	Baseline Profile, Main Profile, High Profile
Frame Rate	Main Stream: 8MP (3840 x 2160), Max 20fps; 5MP (3072 x 1728), Max 30fps; 4MP (2560 x 1440), Max 30fps; 1080P (1920 x 1080), Max 30fps Sub Stream: 1080P (1920 x 1080), Max 30fps; 720P (1280 x 720), Max 30fps; D1 (720 x 576), Max 30fps; 640 x 360, Max 30fps; 2CIF (704 x 288), Max 30fps; CIF (352 x 288), Max 30fps
Video Bit Rate	128 Kbps - 16 Mbps
U-code	Supported
9:16 Corridor Mode	Supported
OSD	Up to 4 OSDs
Privacy Mask	Up to 4 areas
ROI	Up to 8 areas
Motion Detection	Up to 4 areas

Image	
White Balance	Auto/Outdoor/Fine Tune/ Sodium Lamp/Locked/Auto2
Image Setting	Image rotation, brightness, saturation, contrast, sharpness, gain adjustable by web browser
Digital noise reduction	2D/3D DNR
Smart IR	Supported
Flip	Normal/Vertical/Horizontal/180°/90°Clockwise/90°Anti-clockwise
Dewarping	N/A
HLC	Supported
BLC	Supported
Defog	Digital Defog

Smart	
Behavior Detection	Cross line, intrusion (based on human body detection) Motion detection, tampering alarm, audio detection
General Function	Watermark, IP address filtering, access policy, ARP protection, RTSP authentication, user authentication, HTTP authentication

Audio	
Audio Compression	G.711
Suppression	Supported
Sampling Rate	8KHZ

Storage	
Edge Storage	Micro SD, up to 256GB
Network Storage	ANR, NAS(NFS)

Network	
Protocols	IPv4, IGMP, ICMP, ARP, TCP, UDP, DHCP, RTP, RTSP, RTCP, DNS, DDNS, NTP, FTP, UPnP, HTTP, HTTPS, SMTP, SSL/TLS, QoS, 802.1x, SNMP
Compatible Integration	ONVIF (Profile S, Profile G, Profile T), API, SDK
User/Host	Up to 32 users. 2 user levels: administrator and common user
Security	Password protection, Strong password, HTTPS encryption, Export operation logs, Basic and digest authentication for RTSP, Digest authentication for HTTP, TLS 1.2, WSSE and digest authentication for ONVIF
Client	ST-Station, Guard Station, STVU, Guard Viewer, Star4Live
Web Browser	Plug-in required live view: IE9+, Chrome 41 and below, Firefox 52 and below Plug-in free live view: Chrome 57.0+, Firefox 58.0+, Edge 16+

# ST-GIP8FD-2.8 4K HD Vandal-resistant IR Fixed Dome Network Camera

---

Interface	
Network	1 - RJ45 10M/100M Base-TX Ethernet
Built-in Mic	Supported

Certifications	
EMC	FCC: FCC Part 15
Safety	CE: EN 60950-1, UL: UL60950-1, IEC 60950-1

General	
Power	DC 12V±25%, PoE (IEEE 802.3af)
	Power consumption: Max 4.5W
Power Interface	Ø 5.5mm coaxial power plug
Dimensions (L × W × H)	Ø4.3" x 3.3" (Φ109 x 83 mm )
Weight	0.82 lb (0.37kg)
Material	Metal + Plastic
Working Environment	-22 - 140°F (-30 - 60°C), Humidity: ≤95% RH (non-condensing)
Storage Environment	-22 - 140°F (-30 - 60°C), Humidity: ≤95% RH (non-condensing)
Surge Protection	4KV
Reset Button	Supported
Ingress Protection	IP67
Vandal resistant	IK10
Warranty	2-Year Limited Warranty