

ST-GIP5PTZ-4X-AD

5MP Active Deterrence Mini PTZ, NDAA, FCC Camera

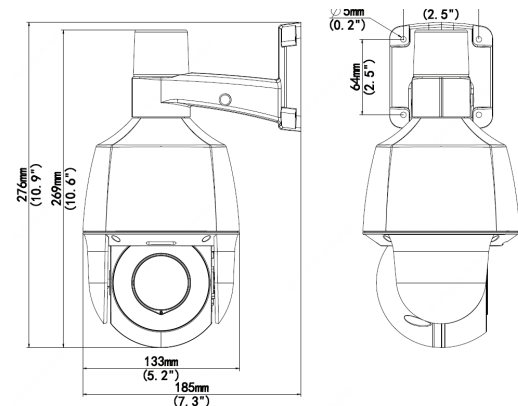


Key Features

- High quality image with 5MP, 1/2.7" CMOS sensor
- Ultra 265, H.265, H.264, MJPEG
- Smart intrusion prevention, support false alarm filtering, include Cross Line, Intrusion, Enter Area, Leave Area detection
- People Counting, support people flow counting and crowd density monitoring, suitable for different statistical scenarios
- This cameras technology ensures ultra-high image quality in low illumination environment
- Up to 120 dB Optical WDR (Wide Dynamic Range)
- Built-in Mic & Speaker
- Smart IR, Up to 164ft (50m) IR distance and 33ft (10m) warm light distance
- Micro SD, up to 256GB
- IP66 protection
- DC12V or PoE (IEEE 802.3af) power supply



Dimensions



Available Accessories



Junction Box
ST-GJB07-C

ST-GIP5PTZ-4X-AD 5MP Active Deterrence Mini PTZ, NDAA, FCC Camera

Camera	
Sensor	1/2.7" progressive scan, 5.0 megapixel, CMOS
Min. Illumination	Colour:0.003 lux (F1.6,AGC ON) 0 lux with IR
Day/Night	IR-cut filter with auto switch (ICR)
Shutter	Auto/Manual, shutter time: 1 s ~ 1/100000 s
WDR	120dB
S/N	>52dB

Lens	
Lens type	2.8 - 12mm, AF automatic focusing and motorized zoom lens
Optical Zoom	4
Iris	Fixed; F1.6
Field of View (H)	104.1° - 30.6°
Field of View (V)	54.9° - 17.4°
Field of View (D)	108.3° - 34.4°

DORI					
	Lens (mm)	Detect	Observe	Recognize	Identify
DORI Distance	2.8mm	206.7 ft (63.0m)	82.7 ft (25.2m)	41.3 ft (12.6m)	20.7 ft (6.3m)
	12mm	885.8 ft (270.0m)	354.3 ft (108.0m)	177.2 ft (54.0m)	88.6 ft (27.0m)

Illuminator	
IR Range	Up to 164 ft (50m)
Warm Light Range	Up to 33 ft (10m)
Wavelength	850nm
IR On/Off Control	Auto/Manual

Video	
Video Compression	Ultra 265, H.265, H.264, MJPEG
Frame Rate	Main Stream: 5MP (2880*1620), Max 30fps; 4MP (2560*1440), Max 30fps; 3MP (2304*1296), Max 30fps; 2MP (1920*1080), Max 30fps Sub Stream: 720P (1280*720), Max 30fps; D1 (720*576), Max 30fps; 640*360, Max 30fps; 2CIF (704*288), Max 30fps; CIF (352*288), Max 30fps Third Stream: D1 (720*576), Max 30fps; 640*360, Max 30fps; 2CIF (704*288), Max 30fps; CIF (352*288), Max 30fps
Video Bit Rate	128 Kbps - 16 Mbps
ROI	Support
Video Stream	Triple streams
OSD	Up to 8 OSDs
Privacy Mask	Up to 4 areas

Image	
White Balance	Auto/Outdoor/Fine Tune/Sodium Lamp/Locked/Auto2
Digital Noise Reduction	2D/3D DNR
Smart IR	Support
Flip	Normal/Flip Vertical/Flip Horizontal/180°/90°Clock wise/90°Anti-clockwise
HLC	Support
BLC	Support
Defog	Digital Defog

Intelligent	
Smart Intrusion Prevention	Support false alarm filtering: Cross Line detection, Intrusion detection, Enter Area detection, Leave Area detection
People Counting	Support people flow counting and crowd density monitoring

Event	
Basic Detection	Motion detection, Audio detection, Tampering Alarm
Auto Tracking	Supported
General Function	Watermark, IP Address Filtering, Access Policy, ARP Protection, RTSP Authentication, User Authentication

Audio	
Audio Compression	G.711U, G.711A
Two-way Audio	Supported
Suppression	Supported
Sampling Rate	8 kHz

Storage	
Edge Storage	Micro SD, up to 256GB
Network Storage	ANR, NAS (NFS)

Network	
Protocols	IPv4, IGMP, ICMP, ARP, TCP, UDP, DHCP, PPPoE, RTP, RTSP, RTCP, DNS, DDNS, NTP, FTP, UPnP, HTTP, HTTPS, SMTP, 802.1x, SNMP, QoS, RTMP,SSL/TLS
Compatible Integration	ONVIF (Profile S, Profile G, Profile T), API
Client	ST-Station, STVU, Star4Live
Web Browser	Plug-in required live view: IE 10 and above, Chrome 45 and above, Firefox 52 and above, Edge 79 and above

ST-GIP5PTZ-4X-AD 5MP Active Deterrence Mini PTZ, NDAA, FCC Camera

Pan & Tilt	
Pan Range	0° - 345°
Pan Speed	0.1°/s - 50°/s
	Preset speed: 50°/s
Tilt Range	-10° - 110°
Tilt Speed	0.1°/s - 40°/s
	Preset speed: 40°/s
Number of Presets	256
Preset Patrol	16 patrols, up to 64 presets for each patrol
Patrol Stay Time	120s - 1800s
Home Position	Support

Interface	
Built-in Mic	Support
Built-in Speaker	Support
Network	1 * RJ45 10M/100M Base-TX Ethernet
Alarm Light	Support

Certifications	
EMC	FCC Part 15, EN 55032:2015, EN 55024:2010 EN 61000-3-2:2014, EN 61000-3-3-2013
Safety	IEC 62368-1, EN 62368-1, UL 62368-1
Environment	CE-ROHS (2011/65/EU;(EU)2015/863); WEEE (2012/19/EU); REACH (Regulation (EC) No 1907/2006)
Protection	IP66 (IEC 60529:1989+AMD1:1999+AMD2:2013)

General	
Power	DC12V(±25%), PoE(IEEE 802.3af)
	Power consumption: MAX 18W
Power Interface	Ø 5.5mm coaxial power plug
Dimensions (Ø x H)	Ø5.2" x 10.6" (Ø133 x 269 mm)
Weight	1.92 lb (0.87kg)
Working Environment	-4 - 140°F (-20 - 60°C), Humidity: ≤95% RH (non-condensing)
Storage Environment	-40 - 158°F (-40 - 70°C), Humidity: ≤95% RH (non-condensing)
Surge Protection	2KV
Reset Button	Supported
Warranty	2-Year Limited Warranty