

ST-GIP4FTD-2.8

4MP HD IR Fixed Turret Network Camera

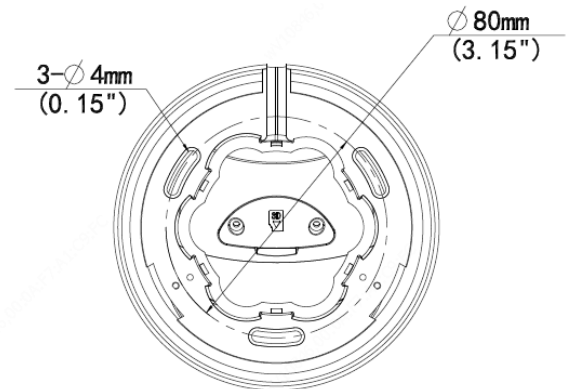
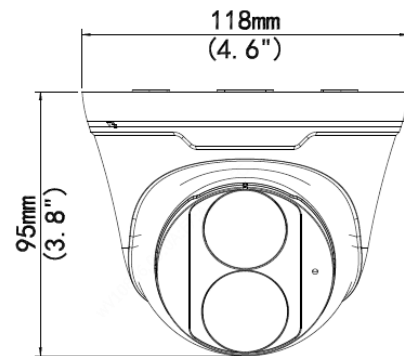


Key Features

- High quality image with 4MP, 1/3" CMOS sensor
- 4MP (2688 x 1520) @ 25/20fps; 4MP (2560 x 1440) @ 25/20fps; 3MP (2304 x 1296) @ 30/25fps; 2MP (1920 x 1080) @ 30/25fps
- Ultra 265, H.265, H.264, MJPEG
- Easystar technology ensures high image quality in low illumination environment
- 120dB true WDR technology provides a clear image in bright areas
- Supports 9:16 Corridor Mode
- Built-in Mic
- Smart IR, up to 98ft (30m) IR distance
- Supports 256 GB Micro SD card
- IP67 Weather Rating
- Supports PoE power supply
- 3-Axis



Dimensions



Available Accessories



Wall Mount
ST-GWM03-A

ST-GIP4FTD-2.8 4MP HD IR Fixed Turret Network Camera

Camera					
Sensor	1/3", 4.0 megapixel, progressive scan, CMOS				
Lens	2.8mm@F1.6				
DORI Distance	Lens	Detect	Observe	Recognize	Identify
	2.8mm	68.8 yds (63m)	27.5 yds (25.2 m)	13.7 yds (12.6 m)	6.8 yds (6.3 m)
Angle Of View (H)	101.1°				
Angle Of View (V)	55.3°				
Angle Of View (O)	111.1°				
Adjustment Angle	Pan: 0°- 360°		Tilt: 0°- 80°		Rotate: 0°-360°
Shutter	Auto/Manual, 1 - 1/100000s				
Minimum Illumination	Easystar: Colour: 0.003Lux (F1.6, AGC ON) 0 Lux with IR				
Day/Night	IR-cut filter with auto switch (ICR)				
Digital Noise Reduction	2D/3D DNR				
S/N	>56dB				
IR Range	Up to 98 ft (30m) IR range				
Wavelength	850nm				
IR On/Off Control	Auto/Manual				
Defog	Digital Defog				
WDR	120dB				
Video					
Video Compression	Ultra 265, H.265, H.264, MJPEG				
H.264 Code Profile	Baseline profile, Main profile, High profile				
Frame Rate	Main Stream: 4MP (2688 x 1520), Max 25fps; 4MP (2560 x 1440), Max 25fps; 3MP (2304 x 1296), Max 30fps; 2MP (1920 x 1080), Max 30fps				
	Sub Stream: 720P (1280 x 720), Max 30fps; D1 (720 x 576), Max 30fps; 640*360,Max 30fps; 2CIF (704 x 288), Max 30fps; CIF (352 x 288), Max 30fps				
Video Bit Rate	128 Kbps-16 Mbps				
9:16 Corridor Mode	Supported				
OSD	Up to 4 OSDs				
Privacy Mask	Up to 4 areas				
ROI	Up to 8 areas				
Motion Detection	Up to 4 areas				
Smart					
Behavior Detection	Cross line, intrusion (based on human body detection)				
	Motion detection, tampering alarm, audio detection				
General Function	Watermark, IP address filtering, access policy, ARP protection, RTSP authentication, user authentication, HTTP authentication				
Image					
White Balance	Auto/Outdoor/Fine Tune/ Sodium Lamp/Locked/Auto2				
Digital noise reduction	2D/3D DNR				
Smart IR	Supported				
Flip	Normal/Vertical/Horizontal/180° 90°Clockwise/90°Anti-clockwise				
Dewarping	N/A				
HLC	Supported				
BLC	Supported				
Network					
Protocols	IPv4, IGMP, ICMP, ARP, TCP, UDP, DHCP, RTP, RTSP, RTCP, RTMP, DNS, DDNS, NTP, FTP, UPnP, HTTP, HTTPS, SMTP, SSL, 802.1x, SNMP				
Compatible Integration	ONVIF (Profile S, Profile G, Profile T), API				
Client	ST-Station, Guard Station, STVU, Guard Viewer, Star4Live				
Web Browser	Plug-in required live view: IE9+, Chrome 41 and below, Firefox 52 and below				
	Plug-in free live view: Chrome 57.0+, Firefox 58.0+, Edge 16+, Safari 11+				
Audio					
Audio Compression	G.711				
Suppression	Supported				
Sampling Rate	8KHZ				
Storage					
Edge Storage	Micro SD, up to 256GB				
Network Storage	ANR, NAS(NFS)				
Interface					
Network	10/100M Base-TX Ethernet				
Built-in Mic	Supported				
Certifications					
Certifications	CE: EN 60950-1, UL: UL60950-1, FCC: FCC Part 15				
General					
Power	DC 12V±25%, PoE (IEEE 802.3af)				
	Power consumption: Max 6.0W				
Dimensions (L × W × H)	Ø4.6" x 3.8" (Φ118 x 95 mm)				
Weight	0.77 lb (0.35kg)				
Material	Metal + Plastic				
Working Environment	-22 - 140°F (-30 - 60°C), Humidity: ≤95% RH (non-condensing)				
Storage Environment	-22 - 140°F (-30 - 60°C), Humidity: ≤95% RH (non-condensing)				
Surge Protection	2KV				
Ingress Protection	IP67				
Reset Button	N/A				
Warranty	2-Year Limited Warranty				