



# INSTALLATION MANUAL

## **ST-PBX4DC12V3A** **4-Port Power Distribution Box**



## PACKAGE CONTENTS

This package contains:

- One ST-PBX4DC12V3A power distribution box with power supply
- Accessories: 4 extra fuses, 4 screws, 2 thread-through rubber rings, and 2 keys
- One AC power cord
- One installation manual

## PRODUCT DESCRIPTION

The ST-PBX4DC12V3A is a professional grade power distribution box designed to meet the needs of the security industry. The unit provides a total of 12VDC at 3 amps to 4 distribution ports. It includes individual status LEDs, individual port protected PTC-type output fuses, individual port current protection, and a built-in surge protector.

## SPECIFICATIONS

### ST-PBX4DC12V3A

Specifications (Typical)

1. Input Voltage	90~260VAC, 50-60Hz
2. Output Voltage	Regulated 11-13VDC @ 3A
3. Surge Protection	Built-in
4. Input LED – RED Color	ON = Supply Normal, OFF = Power Failure
5. Output LEDs – GREEN Color	ON = Output Normal, OFF = Check Load
6. Input Connector	Screw Terminal
7. Output Connectors	Screw Terminal
8. Dimensions	6.5"(L)x6.5"(W)x2"(D)
9. Weight	1.7 lbs
10. Finish	Ivory Powder Coated Steel

# INSTALLATION AND OPERATION



This symbol is intended to alert the user to the presence of important operating and maintenance (servicing) instructions.



This symbol is intended to alert the user to the presence of uninsulated "dangerous voltage" within the product's enclosure that may be of sufficient magnitude to constitute a risk of electrical shock.

**CAUTION: To reduce the risk of electrical shock do not remove the cover or back of this unit. No user serviceable parts are inside.**

**CAUTION: To prevent electric shocks and risk of fire hazards, do not use other than specified power source.**

## 1. UNPACKING and HANDLING

Each unit is shipped assembled and factory tested.

Ensure that all accessories are removed from the container before discarding packing material

## 2. MECHANICAL INSPECTION

Inspect the front and rear of the equipment for shipping damage. Make sure the equipment is clean, and no connectors are broken, damaged, or loose. If equipment appears to be damaged or defective please contact your distributor or SecurityTronix at 1-610-429-1511 for assistance.

## 3. SPECIAL ATTENTION

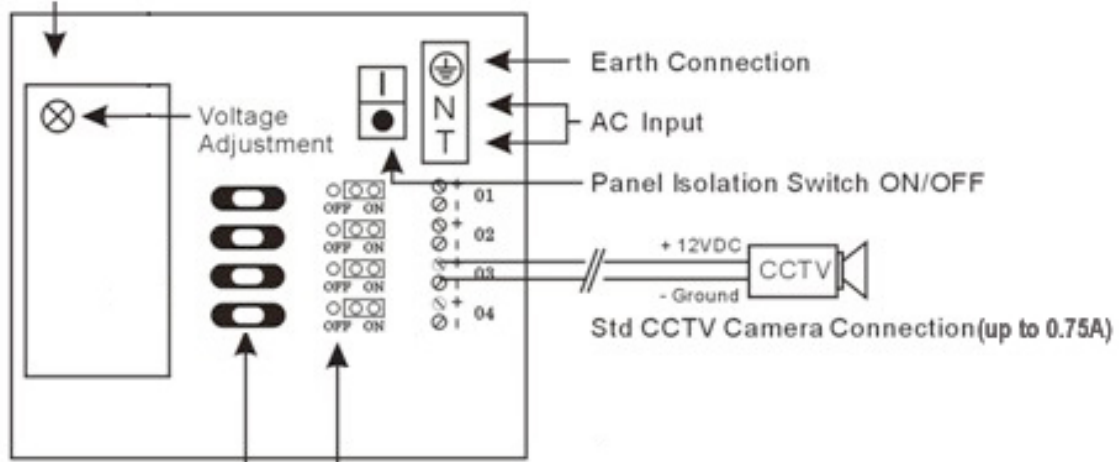
- a. The installer must comply with electrical safety standards.
- b. You must use the correctly rated power supply. A 12VDC 3A power supply is included. Use of any other power supply may damage the unit.
- c. Only qualified installers are allowed to install and test the power distribution box.
- d. This unit is designed for INDOOR USE ONLY.

## 4. INSTALLATION

- a. Mount the cabinet in the desired location.
- b. Slide the switch to the OFF position.
- c. Connect each device (e.g., CCTV camera) to the individually protected outputs (terminal pairs "Common Power Outputs" and "Fuse Power Output")
- d. Plug the power supply into an appropriately rated AC outlet (100-240VAC, 50-60Hz). Be sure the unit is set for the correct AC voltage.
- e. Slide the switch to the ON position.
- f. When the unit is powered up the GREEN AC LED should be on.

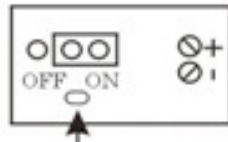
## 5. PRODUCT DIAGRAM

Switch Mode Power Supply



Protection Fuses

To disable a camera move the jumper to the off position.



LED Fuse Status Indicator

Troubleshooting assistance can be found on-line at [www.securitytronix.com](http://www.securitytronix.com) in addition to support from SecurityTronix sales engineers at 1-610-429-151

# SECURITYTRONIX

## Power Supply / Power Box 1-Year Limited Warranty

SECURITYTRONIX. (the "Company") warrants to the Original Purchaser that the Power Supply / Power Box purchased is free from defects in workmanship or material under normal use. This warranty starts on the date of shipment of the hardware to the Original Purchaser.

During the warranty period, the Company agrees to repair or replace, at its sole option, without charge to Original Purchaser, any defective component. To obtain service, the Original Purchaser must return the item to the Company properly packaged for shipping. All defective products must be returned to the Company within thirty (30) days of failure. Products must be returned with a description of the failure and Return Merchandise Authorization (RMA) number supplied by the Company. To receive a RMA number and a return shipping address on where to deliver the hardware, call 610-429-1821. The shipping, and insurance charges incurred in shipping to the Company will be paid by Original Purchaser, and all risk for the hardware shall remain with the Original Purchaser until such time as Company takes receipt of the hardware. Upon receipt, the Company will promptly repair or replace the defective unit, and then return said unit to Original Purchaser, shipping prepaid. The Company may use reconditioned or like-new parts or units, at its sole option, when repairing any hardware. Repaired products shall carry the same amount of outstanding warranty as from original purchase. Any claim under the warranty must include dated proof of purchase or invoice. In any event, the Company's liability for defective hardware is limited to repairing or replacing the hardware.

This warranty is contingent upon proper use of the hardware by Original Purchaser and does not cover: if damage is due to Acts of God (including fire, flood, earthquake, storm, hurricane or other natural disaster), accident, unusual physical, electrical, or electromechanical stress, modifications, neglect, misuse, operation with media not approved by the Company, tampering with or altering of the hardware, riot, war, invasion, act of foreign enemies, hostilities (regardless of whether war is declared), civil war, rebellion, revolution, insurrection, military or usurped power or confiscation, terrorist activities, nationalization, government sanction, blockage, embargo, labor dispute, strike, lockout or interruption or failure of electricity, air conditioning, or humidity control, internet, network, or telephone service

The warranties given herein, together with any implied warranties covering the hardware, including any warranties of merchantability or fitness for a particular purpose, are limited in duration to one year from the date of shipment to the Original Purchaser. Jurisdictions vary with regard to the enforceability of warranty limitations, and you should check the laws of your local jurisdiction to find out whether the above limitation applies to you.

The Company shall not be liable to your for loss of data, loss of profits, lost savings, special, incidental, consequential, indirect, or other similar damages arising from breach of warranty, breach of contract, negligence, or other legal action even if the Company or its agent has been advised of the possibility of such damages, or for any claim brought against your by another party. Jurisdictions vary with regard to the enforceability of provisions excluding or limiting liability for incidental or consequential damages. You should check the laws of your local jurisdiction to find out whether the above exclusion applies to you.

This warranty allocates risks of product failure between Original Purchaser and the Company. The Company's hardware pricing reflects this allocation of risk and the limitations of liability contained in this warranty. The warranty set forth above is in lieu of all other express warranties, whether oral or written. The agents, employees, distributors, and dealers of the Company are not authorized to make modification to this warranty, or additional warranties binding on the Company. Accordingly, additional statements such as dealer advertising or presentations, whether oral or written, do not constitute warranties by the Company and should not be relied upon.

This warranty gives you specific legal rights. You may also have other rights which vary from one jurisdiction to another.