



ASSEMBLY MANUAL

Non-Penetrating Roof Mount CT-NPRM-238

PACKAGE CONTENTS

This package contains:

- Six (6) base rails
- Four (4) struts
- One (1) mounting post
- Three (3) long bolts and nuts
- Twelve (12) short bolts and nuts
- One (1) assembly manual

PRODUCT DESCRIPTION

The CT-NPRM-238 solves the problems associated with flat-roof antenna installation and mounting, and is an alternative when non-permanent installation is required.

INSTALLATION AND OPERATION

1. UNPACKING and HANDLING

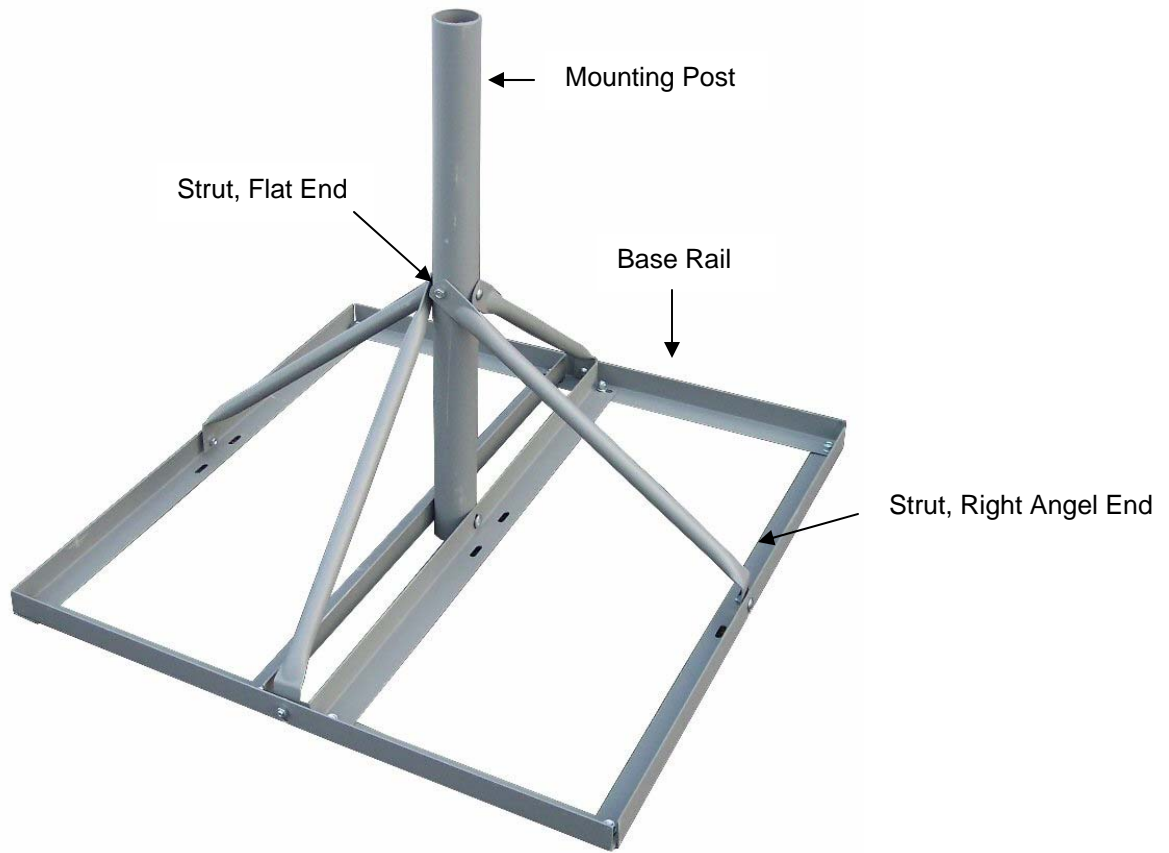
Each unit is shipped with all rails, struts, bolts and nuts.

Ensure that all materials are removed from the container before discarding packing material

2. MECHANICAL INSPECTION

Inspect all pieces for shipping damage. If contents appear to be damaged or defective please contact your distributor or Cabletronix at 1-610-429-1511 for assistance.

3. PRODUCT DIAGRAM



4. ASSEMBLY (Read instructions prior to assembly)

- a. Create base frame by laying out 4 base rails in a square. Rails should be positioned with base lip facing inside the square. Rail base lip is that side having two bolt slots. Bolt the 4 base rails together at the corners using 4 short bolts and nuts. Do not tighten.
- b. Install one base rail in the middle of the square with rail base lip facing the opposing rail. Bolt the rail corners to the square using 2 short bolts through the oval slots on the lip of the outside rail's base lip. Secure with nuts, but do not tighten.
- c. Repeat "b" with last base rail on opposite side of "b". Be sure there is enough space between these two center rails to install the mounting post.
- d. NOTE: all rails should be fastened with the bolts and nuts facing into the base to ensure base remains flush with roof and minimize any damage to the roof.
- e. Install mounting post between the two center rails, and secure with one long bolt and nut. Do not tighten.
- f. Mount struts as follows.
 - Mount flat end of strut against mounting post and repeat with a second strut at opposite side of the post. Use one long bolt and nut to secure the two struts to the mounting post, but do not tighten.
 - Bolt strut base (right angle end) to center of rail base (not lip side) using short bolt and nut. Repeat with second strut. Do not tighten.
 - Install the remaining two struts in same manner using long bolt and nut on the mounting post, and short bolts and nuts on the base. Do not tighten.
- g. Ensure all pieces are properly aligned. Then tighten all bolts and nuts.