

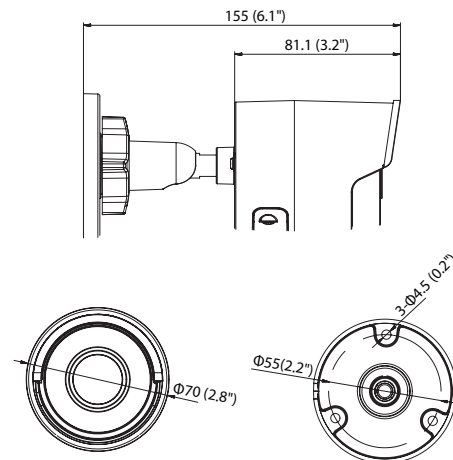
## ST-IP8FB | ST-IP8FB-2.8

### 4K/8MP IP Fixed Lens Bullet Camera

This Ultra HD 4K/8 Mega Pixel, IP fixed lens camera makes it possible to bring out exceptional detail when digitally zooming in on an area of interest during live view or post incident review. IP cameras transmit and receive video and control data over a single network cable and can be remotely configured across the network for video analytics, such as, object placement, object removal, face detection, and line crossing detection. Additional configuration options are available to trigger alarms, send email alerts and cameras can connect to the ST LIVE cloud based platform for retention of recorded video off site. Multiple video streams are available to send video for NVR recording and mobile device streams. The compact design includes an IP67 weather rating, Wide Dynamic Range (WDR) to provide a clear image when a lighting change occurs behind the subject being viewed, and IR LEDs allow the camera to see in total darkness up to 98 feet. The camera can be powered via PoE (Power over Ethernet) or locally with a 12V DC power supply. Power supply not included.



#### Dimensions



#### Key Features

- 1/2.5" Progressive Scan CMOS
- 3840 × 2160@15 fps
- 2.8/4mm fixed lens
- Color: 0.01 lux @ (F1.2, AGC ON), 0.028 lux @ (F2.0, AGC ON), 0 lux with IR
- H.265+, H.265, H.264+, H.264
- 2 Behavior analyses
- 120dB WDR Three streams
- BLC/3D DNR/ROI
- IP67
- Built-in micro SD/SDHC/SDXC card slot, up to 128 GB

#### Available Accessories



**Junction Box Camera Mount**  
ST-JBMB



**FREE APP**

View from your phone or mobile device anytime, anywhere!

**STGO2**




# ST-IP8FB | ST-IP8FB-2.8 4K/8MP IP Fixed Lens Bullet Camera

Camera		Smart Features	
Image Sensor	1/2.5" Progressive Scan CMOS	Behavior Analysis	Line crossing detection, intrusion detection
Min. Illumination	Color: 0.01 lux @(F1.2, AGC ON), 0.028 lux @ (F2.0, AGC ON), 0 lux with IR	Face Detection	Yes
Shutter Speed	1/3 s to 1/100,000 s	Region of Interest	Support 1 fixed region for main stream and sub-stream
Slow Shutter	Yes		
Auto-Iris	No	Network	
Day & Night	IR Cut Filter	Network Storage	Support Micro SD/SDHC/SDXC card (128G), local storage and NAS (NFS,SMB/CIFS), ANR
Digital Noise Reduction	3D DNR	Alarm Trigger	Motion detection, video tampering, network disconnected, IP address conflict, illegal login, HDD full, HDD error
WDR	120dB	Protocols	TCP/IP, ICMP, HTTP, HTTPS, FTP, DHCP, DNS, DDNS, RTP, RTSP, RTCP, PPPoE, NTP, UPnP, SMTP, SNMP, IGMP, 802.1X, QoS, IPv6, Bonjour
3-Axis Adjustment	Pan: 0° to 360°, tilt: 0° to 90°, rotate: 0° to 360°	General Function	One-key reset, anti-flicker, three streams, heartbeat, mirror, password protection, privacy mask, watermark, IP address filter
Lens		API	ONVIF (PROFILE S, PROFILE G), ISAPI
Focal Length	2.8/4mm	Simultaneous Live View	Up to 6 channels
Aperture	F2.0	User/Host	Up to 32 users 3 levels: Administrator, Operator and User
Focus	Auto	Client	iVMS-4200,Hik-Connect, iVMS-5200
FOV	2.8 mm, horizontal FOV: 102°, vertical FOV: 53°, diagonal FOV: 124° 4 mm, horizontal FOV: 79°, vertical FOV: 42°, diagonal FOV: 95°	Web Browser	IE8+, Chrome31.0-44, Firefox30.0-51, Safari 8.0+
Lens Mount	M12		
IR		Interface	
IR Range	Up to 98' (30 m)	Video Output	No
Wavelength	850nm	Communication Interface	1 RJ45 10M/100M self-adaptive Ethernet port
Compression Standard		On-board Storage	Built-in microSD/SDHC/SDXC slot, up to 128 GB
Video Compression	Main stream: H.265/H.264 Sub-stream: H.265/H.264/MJPEG Third stream: H.265/H.264	SVC	H.264 and H.265 encoding support
H.264 Type	Main Profile/High Profile	Reset Button	Yes
H.264+	Main stream supports	General	
H.265 Type	Main Profile	Operating Conditions	-22 °F to +140 °F (-30 °C to +60 °C), humidity 95% or less (non-condensing)
H.265+	Main stream supports	Power Supply	12 VDC ± 25%,Φ 5.5mm coaxial power plug PoE (802.3af, class 3)
Video Bit Rate	32 Kbps to 16 Mbps	Power Consumption and Current	12 VDC, 0.5 A, max. 6W PoE: (802.3af, 36V to 57V), 0.2 A to 0.1 A, max. 7.5W
Image		Protection Level	IP67
Max. Resolution	3840 × 2160	Material	Metal
Main Stream	50Hz: 12.5 fps (3840 x 2160), 20fps (3072 x 1728), 25 fps (2560 x 1440, 1920 x 1080, 1280 x 720)	Dimensions	Camera: Φ2.8" x 6.1" ( Φ70 mm ×155 mm) Package: 8.5"x 4.8" x 4.7" (216 × 121 × 118 mm)
Sub-Stream	50Hz: 25fps (640 x 480, 640 x 360, 320 x 240) 60Hz: 30fps (640 x 480, 640 x 360, 320 x 240)	Weight	Camera: approx. 0.9 lb. (410 g)
Third Stream	50Hz: 25fps (1280 x 720, 640 x 360, 352 x 288) 60Hz: 30fps (1280 x 720, 640 x 360, 352 x 240)	Warranty	2-Year Limited Fixed Camera Warranty
Image Enhancement	BLC/3D DNR		
Image Setting	Rotate mode, saturation, brightness, contrast, sharpness adjustable by client software or web browser		
Target Cropping	No		
Day/Night Switch	Day/Night/Auto/Schedule		

800-460-1801 | sales@securitytronix.com | www.securitytronix.com

ST-IP8FB | ST-IP8FB-2.8 | 11112020