

# IP-NC328-VDZ

## 8MP IR Varifocal Dome Network Camera

### Key Features:

- 1/2.5" Progressive Scan CMOS
- 3840 × 2160 @15 fps
- 2.8 to 12 mm varifocal lens
- Color: 0.01 Lux @ (F1.2, AGC ON), 0.018 Lux @ (F1.6, AGC ON), 0 Lux with IR
- H.265+, H.265, H.264+, H.264
- Behavior analyses: Line crossing, intrusion detection, face detection
- 120dB WDR
- BLC/3D DNR/ROI
- IP67, IK10
- Built-in micro SD/SDHC/SDXC card slot, up to 128 GB

### Specifications:

#### Camera

<b>Image Sensor</b>	1/2.5" Progressive Scan CMOS
<b>Min. Illumination</b>	Color: 0.01 Lux @ (F1.2, AGC ON), 0.018 Lux @ (F1.6, AGC ON), 0 Lux with IR
<b>Shutter Speed</b>	1/3 s to 1/100,000 s
<b>Slow Shutter</b>	Yes
<b>Day &amp; Night</b>	IR Cut Filter
<b>Digital Noise Reduction</b>	3D DNR
<b>WDR</b>	120dB
<b>3-Axis Adjustment</b>	Pan: 0° to 355°, tilt: 0° to 75°, rotate: 0° to 355°

#### Lens

<b>Focal Length</b>	2.8 to 12 mm
<b>Aperture</b>	F1.6
<b>Focus</b>	Auto
<b>FOV</b>	Horizontal field of view 105° to 34.5° Vertical field of view 55° to 19° Diagonal field of view 125° to 40°
<b>Lens Mount</b>	Φ14

#### IR

<b>IR Range</b>	Up to 98 Feet (30 Meters)
<b>Wavelength</b>	850nm

#### Compression Standard

<b>Video Compression</b>	Main stream: H.265/H.264
<b>Sub-stream</b>	H.265/H.264/MJPEG
<b>Third stream</b>	H.265/H.264
<b>H.264 Type</b>	Main Profile/High Profile
<b>H.264+</b>	Main stream supports
<b>H.265 Type</b>	Main Profile
<b>H.265+</b>	Main stream supports
<b>Video Bit Rate</b>	32 Kbps to 16 Mbps
<b>Audio Compression</b>	G.711/G.722.1/G.726/MP2L2/PCM
<b>Audio Bit Rate</b>	64Kbps(G.711)/16Kbps(G.722.1)/16Kbps(G.726)/32-192Kbps(MP2L2)

#### Smart Feature-set

<b>Behavior Analysis</b>	Line crossing detection, intrusion detection
<b>Face Detection</b>	Yes
<b>Region of Interest</b>	Support 1 fixed region for main stream and sub-stream

#### Ordering Information:

IP-NC328-VDZ 8MP IR Varifocal Dome Network Camera



**Free Guarding  
Vision iOS / Android  
mobile app**



**1473ZJ-155**

Optional Wall Mount Bracket  
For IP-NC328-VDZ Camera

# IP-NC328-VDZ

## 8MP IR Varifocal Dome Network Camera

### Specifications (Continued):

#### Image

<b>Max. Resolution</b>	3840 x 2160
<b>Main Stream</b>	50Hz: 12.5 fps (3840 x 2160), 20fps (3072 x 1728), 25 fps (2560 x 1440, 1920 x 1080, 1280 x 720) 60Hz: 15 fps (3840 x 2160), 20fps (3072 x 1728), 30 fps (2560 x 1440, 1920 x 1080, 1280 x 720)
<b>Sub-Stream</b>	50Hz: 25fps (640 x 480, 640 x 360, 320 x 240) 60Hz: 30fps (640 x 480, 640 x 360, 320 x 240)
<b>Third Stream</b>	50Hz: 25fps (1280 x 720, 640 x 360, 352 x 288) 60Hz: 30fps (1280 x 720, 640 x 360, 352 x 240)
<b>Image Enhancement</b>	BLC/3D DNR
<b>Image Settings</b>	Rotate mode, saturation, brightness, contrast, sharpness adjustable by client software or web browser
<b>Day/Night Switch</b>	Day/Night/Auto/Schedule/Triggered by Alarm In

#### Network

<b>Network Storage</b>	Support Micro SD/SDHC/SDXC card (128G), local storage and NAS (NFS,SMB/CIFS), ANR
<b>Alarm Trigger</b>	Motion detection, video tampering, network disconnected, IP address conflict, illegal login, HDD full, HDD error
<b>Protocols</b>	TCP/IP, ICMP, HTTP, HTTPS, FTP, DHCP, DNS, DDNS, RTP, RTSP, RTCP, PPPoE, NTP, UPnP, SMTP, SNMP, IGMP, 802.1X, QoS, IPv6, Bonjour
<b>General Function</b>	One-key reset, anti-flicker, three streams, heartbeat, password protection, privacy mask, watermark, IP address filter
<b>Firmware Version</b>	V5.5.3
<b>API</b>	ONVIF (PROFILE S, PROFILE G), ISAPI
<b>Simultaneous Live View</b>	Up to 6 channels
<b>User/Host</b>	Up to 32 users
<b>Client</b>	3 levels: Administrator, Operator and User
<b>Web Browser</b>	CMS - Client Management Software IE8+, Chrome 31.0-44, Firefox 30.0-51, Safari 8.0+

#### Interface

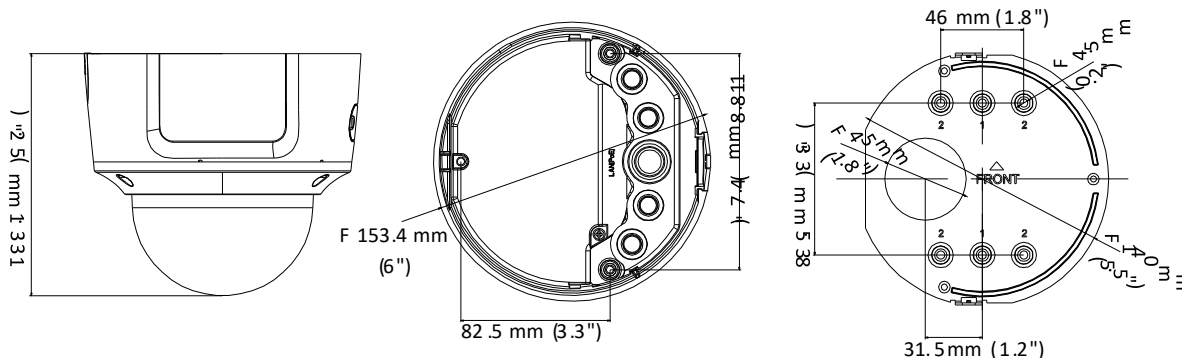
<b>Audio</b>	1 input (line in, 3.5 mm), 1 output (line out, 3.5 mm), mono sound
<b>Alarm</b>	1 input, 1 output
<b>Communication Interface</b>	1 RJ45 10M/100M self-adaptive Ethernet port
<b>Video Output</b>	1Vp-p composite output (75 Ω/BNC) (For adjustment only)
<b>On-board storage</b>	Built-in Micro SD/SDHC/SDXC slot, up to 128 GB
<b>SVC</b>	H.264 and H.265 encoding support
<b>Reset Button</b>	Yes

#### Audio

<b>Environment Noise Filtering</b>	Yes
<b>Audio Sampling Rate</b>	8kHz/16kHz/32kHz/44.1kHz/48kHz

#### General

<b>Operating Conditions</b>	-30 °C to +60 °C (-22 °F to +140 °F), humidity 95% or less (non-condensing)
<b>Power Supply</b>	12 VDC ± 25%, 5.5 mm coaxial power plug PoE (802.3at, class 3)
<b>Power Consumption &amp; Current</b>	12 VDC, 0.8A, max. 10W PoE (802.3at, 36V to 57V), 0.4A to 0.2A, max. 12W
<b>Protection Level</b>	IP67, IK10
<b>Material</b>	Metal
<b>Dimensions</b>	153.4 x 133.1 mm (6.0" x 5.2")
<b>Weight</b>	Camera: 1287 g (2.8 lb.)



North American Cable Equipment Inc.

(800) 688-9282

email: [sales@northamericancable.com](mailto:sales@northamericancable.com)

[www.northamericancable.com](http://www.northamericancable.com)