

IP-NC328-VBZ

8MP IR Varifocal Bullet Network Camera

Key Features:

- 1/2.5" Progressive Scan CMOS
- 3840 × 2160 @15 fps
- 2.8 to 12 mm varifocal lens
- Color: 0.01 Lux @ (F1.2, AGC ON), 0.018 Lux @ (F1.6, AGC ON), 0 Lux with IR
- H.265+, H.265, H.264+, H.264
- Behavior analyses: Line crossing, intrusion detection, face detection
- 120dB WDR
- BLC/3D DNR/ROI
- IP67, IK10
- Built-in micro SD/SDHC/SDXC card slot, up to 128 GB



Free Guarding
Vision iOS / Android
mobile app

Specifications:

Camera

Image Sensor	1/2.5" Progressive Scan CMOS
Min. Illumination	Color: 0.01 Lux @ (F1.2, AGC ON), 0.018 Lux @ (F1.6, AGC ON), 0 Lux with IR
Shutter Speed	1/3 s to 1/100,000 s
Slow Shutter	Yes
Day & Night	IR Cut Filter
Digital Noise Reduction	3D DNR
WDR	120dB
3-Axis Adjustment	Pan: 0° to 355°, tilt: 0° to 90°, rotate: 0° to 355°

Lens

Focal Length	2.8 to 12 mm
Aperture	F1.6
Focus	Auto
FOV	Horizontal field of view 105° to 34.5° Vertical field of view 55° to 19° Diagonal field of view 125° to 40°
Lens Mount	Φ14

IR

IR Range	Up to 164 Feet (50 Meters)
Wavelength	850nm

Compression Standard

Video Compression	Main stream: H.265/H.264
Sub-stream	H.265/H.264/MJPEG
Third stream	H.265/H.264
H.264 Type	Main Profile/High Profile
H.264+	Main stream supports
H.265 Type	Main Profile
H.265+	Main stream supports
Video Bit Rate	32 Kbps to 16 Mbps
Audio Compression	G.711/G.722.1/G.726/MP2L2/PCM
Audio Bit Rate	64Kbps(G.711)/16Kbps(G.722.1)/16Kbps(G.726)/32-192Kbps(MP2L2)

Smart Feature-set

Behavior Analysis	Line crossing detection, intrusion detection
Face Detection	Yes
Region of Interest	Support 1 fixed region for main stream and sub-stream

Ordering Information:

IP-NC328-VBZ 8MP IR Varifocal Bullet Network Camera

IP-NC328-VBZ

8MP IR Varifocal Bullet Network Camera

Specifications (Continued):

Image

Max. Resolution	3840 x 2160
Main Stream	50Hz: 12.5 fps (3840 x 2160), 20fps (3072 x 1728), 25 fps (2560 x 1440, 1920 x 1080, 1280 x 720) 60Hz: 15 fps (3840 x 2160), 20fps (3072 x 1728), 30 fps (2560 x 1440, 1920 x 1080, 1280 x 720)
Sub-Stream	50Hz: 25fps (640 x 480, 640 x 360, 320 x 240) 60Hz: 30fps (640 x 480, 640 x 360, 320 x 240)
Third Stream	50Hz: 25fps (1280 x 720, 640 x 360, 352 x 288) 60Hz: 30fps (1280 x 720, 640 x 360, 352 x 240)
Image Enhancement	BLC/3D DNR
Image Settings	Rotate mode, saturation, brightness, contrast, sharpness adjustable by client software or web browser
Day/Night Switch	Day/Night/Auto/Schedule/Triggered by Alarm In

Network

Network Storage	Support Micro SD/SDHC/SDXC card (128G), local storage and NAS (NFS,SMB/CIFS), ANR
Alarm Trigger	Motion detection, video tampering, network disconnected, IP address conflict, illegal login, HDD full, HDD error
Protocols	TCP/IP, ICMP, HTTP, HTTPS, FTP, DHCP, DNS, DDNS, RTP, RTSP, RTCP, PPPoE, NTP, UPnP, SMTP, SNMP, IGMP, 802.1X, QoS, IPv6, Bonjour
General Function	One-key reset, anti-flicker, three streams, heartbeat, password protection, privacy mask, watermark, IP address filter
Firmware Version	V5.5.3
API	ONVIF (PROFILE S, PROFILE G), ISAPI
Simultaneous Live View	Up to 6 channels
User/Host	Up to 32 users
Client	3 levels: Administrator, Operator and User
Web Browser	CMS - Client Management Software IE8+, Chrome 31.0-44, Firefox 30.0-51, Safari 8.0+

Interface

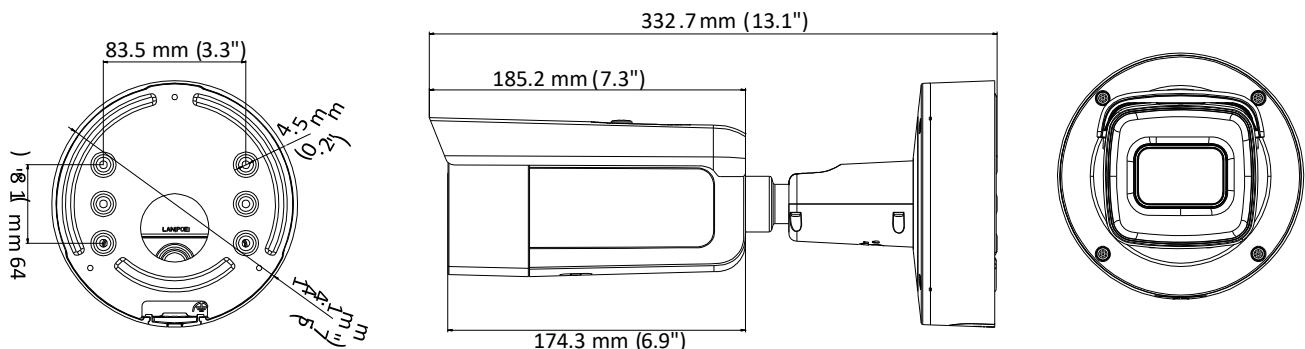
Audio	1 input (line in, 3.5 mm), 1 output (line out, 3.5 mm), mono sound
Alarm	1 input, 1 output
Communication Interface	1 RJ45 10M/100M self-adaptive Ethernet port
Video Output	1Vp-p composite output (75 Ω/BNC) (For adjustment only)
On-board storage	Built-in Micro SD/SDHC/SDXC slot, up to 128 GB
SVC	H.264 and H.265 encoding support
Reset Button	Yes

Audio

Environment Noise Filtering	Yes
Audio Sampling Rate	8kHz/16kHz/32kHz/44.1kHz/48kHz

General

Operating Conditions	-30 °C to +60 °C (-22 °F to +140 °F), humidity 95% or less (non-condensing)
Power Supply	12 VDC ± 25%, 5.5 mm coaxial power plug PoE (802.3at, class 4)
Power Consumption & Current	12 VDC, 1.2A, max. 14.5W PoE (802.3at, 42.5V to 57V), 0.5A to 0.3A, max. 18W
Protection Level	IP67, IK10
Material	Metal
Dimensions	144.1 x 332.7 mm (5.7" x 13.1")
Weight	Camera: 1893 g (4.2 lb.)



North American Cable Equipment Inc.

(800) 688-9282

email: sales@northamericancable.com

www.northamericancable.com