

IP-NC324-VBZ

4MP IP Varifocal Lens Bullet Camera

Features:

- Up to 4 megapixel high resolution
- Full HD 2560 x 1440 @ 30fps video
- 2.8 - 12mm Motorized lens
- 120dB Wide Dynamic Range
- 2 Behavior analyses and face detection
- Built-in micro SD/SDHC/SDXC card slot, up to 128 GB
- Three streams
- BLC / 3D DNR / ROI
- DC12V & PoE
- H.265+, H.265, H.264+, H.264
- Up to 98' IR range
- IP67 weather-proof protection
- IK10 Vandal rating
- 3 Axis adjustment



Camera

Image sensor	1/3" Progressive Scan CMOS
Min. illumination	0.01Lux @ (F1.2, AGC ON), 0 Lux with IR 0.018 Lux @ (F1.6, AGC ON), 0 Lux with IR
Aperture	F1.6
FOV	Horizontal FOV: 98° to 28° Vertical FOV: 51° to 16° Diagonal FOV: 115° to 32°
Shutter Speed	1/3 s to 1/100,000 s
Slow Shutter	Supported
Lens	2.8 - 12mm @ F1.6
Day & Night	IR cut filter with auto switch
Digital noise reduction	3D DNR
Wide Dynamic Range	120dB
Video compression	
Main stream	H.265 / H.264
Sub-stream	H.265 / H.264 / MJPEG
Third stream	H.265 / H.264
Video Bit Rate	32 Kbps – 16 Mbps
Behavior analysis	Line crossing detection, intrusion detection
Face detection	Yes
Region of interest	1 fixed region for main stream and sub-stream

Image

Max. Image Resolution	2560 x 1440
Frame rate	
Main stream	50Hz: 25fps (2560 x 1440, 2304 x 1296, 1920 x 1080) 60Hz: 30fps (2560 x 1440, 2304 x 1296, 1920 x 1080)
Sub-stream	50Hz: 25fps (640 x 480, 640 x 360, 320 x 240) 60Hz: 30fps (640 x 480, 640 x 360, 320 x 240)
Third stream	50Hz: 25fps (1280 x 720, 640 x 360, 352 x 288) 60Hz: 30fps (1280 x 720, 640 x 360, 352 x 240)
Image settings	Rotate mode, Saturation, Brightness, Contrast, Sharpness adjustable by client software or web browser
Backlight compensation	Yes, zone optional
ROI	Supported
Day / Night Switch	Auto/Schedule/Triggered by Alarm In



**Free Guarding
Vision iOS / Android
mobile app**

Ordering Information:

IP-NC324-VBZ 4MP IP Varifocal Lens Bullet Camera with IR

IP-NC324-VBZ

4MP IP Varifocal Lens Bullet Camera

Network

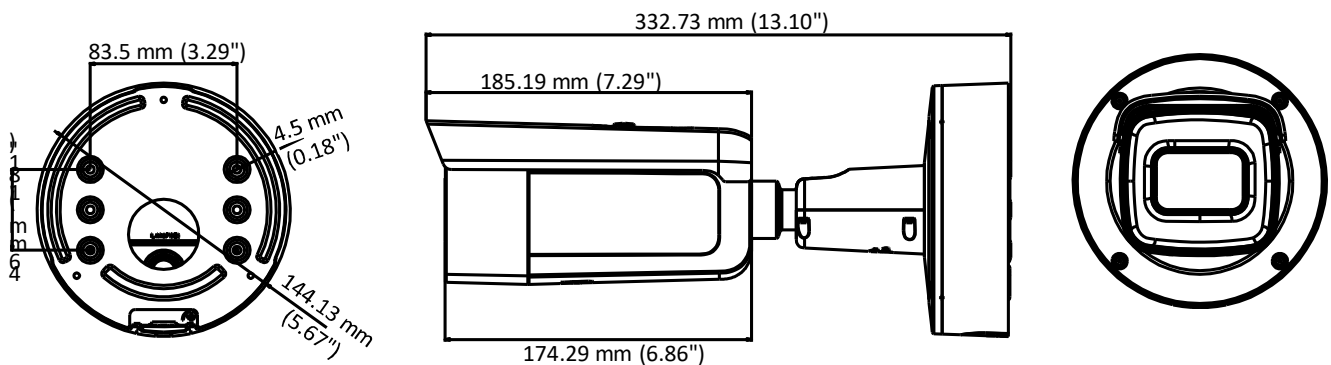
Network storage	Supports Micro SD/SDHC/SDXC card (128G), local storage and NAS (NFS,SMB/CIFS), ANR
Alarm trigger	Motion Detection, Tampering alarm, Network disconnect , IP address conflict, Storage exception, illegal login, HDD full, HDD error
Protocols	TCP/IP,ICMP,HTTP,HTTPS,FTP,DHCP,DNS,DDNS,RTP,RTSP,RTCP, PPPoE,NTP,UPnP,SMTP,SNMP,IGMP,802.1X,QoS,IPv6,Bonjour
General	One-key reset, anti-flicker, three streams, heartbeat, mirror, password protection, privacy mask, watermark, IP address filtering
Standard	ONVIF (Profile S, Profile G), ISAPI
Client	Central management software
Simultaneous live view	Up to 6 channels
User / host	Up to 32 users
Web browser	IE8+, Chrome 31.0-44, Firefox 30.0-51, Safari 8.0+

Interface

Audio	1 input (line in/mic.in, 3.5mm), 1 output (line out, 3.5mm), mono sound
Communication Interface	1 RJ45 10M/100M Ethernet interface
Alarm	1 input, 1 output (up to 12 VDC, 30 mA), terminal block
Video output	1Vp-p Composite output (75 ohm BNC)
On-Board Storage	Built in micro SD/SDHC/SDXC slot up to 128GB

General

Operating conditions	-30 °C – 60 °C (-22 °F – 140 °F)
Humidity	95% or less (non-condensing)
Power supply	12 VDC ± 25% , PoE (802.3at, class 4) (not included)
Power consumption	12VDC, 1.2A, max. 14.5W
Protection level	IP67, IK10 TVS 2000V Lightning Protection, Surge Protection and Voltage Transient Protection
IR Range	Up to 98 Feet
Dimensions	144.13 x 332.73mm (5.7" x 13.1")
Camera weight	1740g (3.8 lbs)
With packaging weight	2610g (5.8 lbs)



Ordering Information:

IP-NC324-VBZ 4MP IP Varifocal Lens Bullet Camera with IR