

CT-SAMM-V2

Agile Micro Modulator

The CT-SAMM-V2 is a professional quality fully agile micro modulator providing an audio and video modulated RF carrier from 54 to 864 MHz on any CATV channel from 2 to 135, and UHF channel from 2 to 69. Any standard video source can be used, including satellite receivers, demodulators, Off-The-Air, laser/DVD players, and security cameras. The CT-SAMM-V2 employs highly stable synthesized frequency control. Setup and tuning is easy and straightforward taking advantage of the unit's front panel access to all level controls and indicators. Channel frequency information with FCC offsets is programmed into each unit at the factory. Nonvolatile memory maintains channel selection in event of power loss.

The CT-SAMM-V2 meets or exceeds government regulatory requirements, including FCC group delay pre-distortion for color transmission, and FCC Docket 21006 aeronautical offset requirements.

Designed for commercial grade headend systems, the CT-SAMM-V2 provides cable operators the engineering ease and flexibility associated with new headend deployments, existing headend upgrades, and system maintenance. These fully agile modulators allow the rapid creation of channel lineups, faster channel reassignments, and quicker replacement of failed modulators over traditional fixed frequency devices. Just as important, the CT-SAMM-V2's full agility directly improves the operator's bottom line by not requiring an inventory of fixed frequency spares necessary for on-going headend maintenance.



Key Features

- Double heterodyne conversion.
- 45dBmV minimum @50-864MHz.
- Compatible with most manufacturers mini-modulator chassis.
- Automatic band splitting filters for superior carrier to noise ratio.
- SAW filtered.
- Supports TV, CATV, frequency and lock function.
- FCC frequency offset with automatic setting.
- Pre-emphasis defeat switch accessible from side panel for the insertion of composite BTSC stereo signal.
- IRC and HRC offset available for frequency settings in systems using offset channels.
- Use with CableTronix CTPS-12 power supply and CTRC-12 rack chassis or with 3rd party power supplies and/or chassis depending upon configuration
- 1 year warranty
- 3 year extended warranty available

Available Accessories

CTPS-12	12 Unit Power Supply
CTRC-12	12 Unit Rack Chassis
CTAMM PICO ADAPTER	For use with Pico Power supplies
CTRC HARNESS	Replacement Harness

Call for pricing on this product with international video standards.

CT-SAMM-V2 Agile Micro Modulator

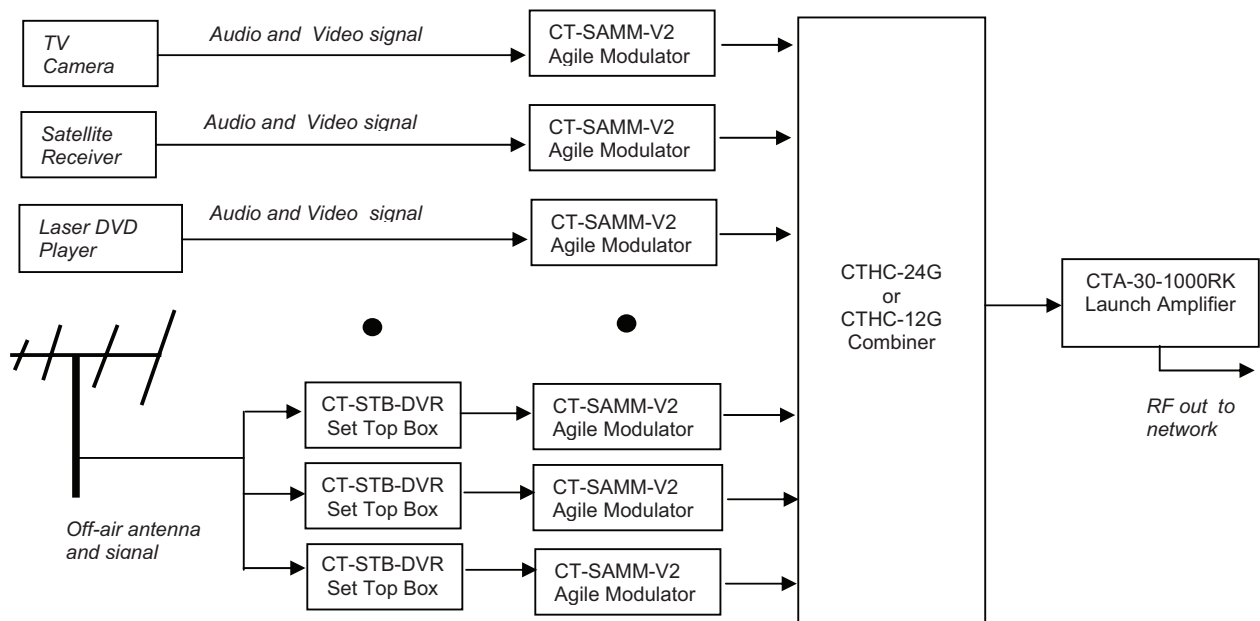
RF		
Parameter	Specification	Test Conditions
Channels	CATV:CH2~135 / ANT:CH2~69	
Frequency range	NTSC 54 MHz to 864 MHz	30Hz -4.2MHz
FCC frequency offset	Automatic	+12.5KHz,+25KHz or None as require for each channel
Output Level	+45 dBmV (min)	Adjustable from front panel
Output Level Control	≥10 dB (min)	
Output Impedance	75Ω	
A/V Ratio	-11 - -23 dB±3 dB	
Carrier -to-noise (in band)	-60 dB (min)	Measured at -15 dB A/V ratio and with Modulator Output Level of +45 dBmV
Carrier -to-noise (out of band)	-55 dB (min)	
Frequency Accuracy	± 10 KHz	
Inter Carrier Frequency	± 2.0 KHz	@4.5 MHz
Adjacent channel beat (fv-4.5 mhz)	-60 dB (min)	Measured at -15 dB A/V ratio and with Modulator Output Level of +45 dBmV
Spurious outputs	-55 dBc (min)	

Video		
Parameter	Specification	Test Conditions
Level	1 Vp-p (min) for (87.5% Modulation)	
Response	±1.2 dB	30Hz ~ 4.2MHz
Differential Gain	< 5%	10 ~ 90% APL
Differential Phase	< 5°	10 ~ 90% APL

Audio		
Parameter	Specification	Test Conditions
Deviation	± 25KHz	0.5Vp-p @Sin Wave 1KHz
Preemphasis	75us	
Audio baseband input impedance	600 ohm	

General		
Parameter	Specification	Test Conditions
Power Consumption	< 300mA	@5VDC
	< 250mA	@12VDC
Dimensions	1" x 8" x 3.45" (2.54 x 20.32 x 8.76 cm)	
Weight	0.8 lbs. (0.36kg)	
Operating Temperatures	32°-122°F (0° - 50°C)	
Connector	Video In / RF Out: "F" type Audio In: RCA	
Warranty	1 year - Can be extended to 3 years	

Sample Configuration



All product specifications are accurate at time of printing, but are subject to change.

Products are warranted for one year. Warranty can be extended to three years.

Contact a sales engineer for details.