

CT-SAMM

Agile Micro Modulator

The CT-SAMM is a professional quality fully agile micro modulator providing an audio and video modulated RF carrier from 54 to 864 MHz on any CATV channel from 2 to 135, and UHF channel from 14 to 78. Any standard video source can be used, including satellite receivers, demodulators, VCRs, laser/DVD players, and TV/security cameras. The CT-SAMM employs highly stable synthesized frequency control. Setup and tuning is easy and straightforward taking advantage of the unit's front panel access to all level controls and indicators. Channel frequency information with FCC offsets is programmed into each unit at the factory. Nonvolatile memory maintains channel selection in event of power loss.

The CT-SAMM meets or exceeds government regulatory requirements, including FCC group delay pre-distortion for color transmission, and FCC Docket 21006 aeronautical offset requirements.

Designed for commercial grade headend systems, the CT-SAMM provides cable operators the engineering ease and flexibility associated with new headend deployments, existing headend upgrades, and system maintenance. These fully agile modulators allow the rapid creation of channel lineups, faster channel reassignments, and quicker replacement of failed modulators over traditional fixed frequency devices. Just as important, the CT-SAMM's full agility directly improves the operator's bottom line by not requiring an inventory of fixed frequency spares necessary for on-going headend maintenance.



Key Features

- Output frequency of 54 to 864MHz
- Supports CATV channel from 2 to 135, and UHF channel from 14 to 78
- Rapid headend design and deployment
- Reduced costs associated with maintaining inventory of spare fixed frequency modulators
- Reduced headend down time associated with the search and procurement of a specific fixed frequency modulator if not held in inventory
- Excellent broadband noise performance at – 78dBc
- Recessed front panel access to all level controls and indicators
- Use with CableTronix CTPS-12 power supply and CTRC-12 rack chassis or with 3rd party power supplies and/or chassis depending upon configuration
- 1 year warranty
- 3 year extended warranty available

Available Accessories

CTPS-12	12 Unit Power Supply
CTPS-12DUAL	12 Unit Redundant Power Supply
CTRC-12	12 Unit Rack Chassis
CTAMM PICO ADAPTER	For use with Pico Power supplies
CTRC HARNESS	Replacement Harness

Call for pricing on this product with international video standards.

CT-SAMM Agile Micro Modulator

Video

Min Input Level	0.8Vp-p (87.5% Modulation)
Video C/N	60dB
Frequency Response	±1.5dB (30Hz to 4.2 MHz)
Differential Gain	< ±5%
Differential Phase	< ±5 deg.
Group Delay	75 ns
Hum Ratio	-60dB

Audio

Input Level	0.5Vp-p (25 KHz Deviation)
Input Impedance	10 K OHMS
Frequency Response	±1dB (50 HZ to 15KHz)
Distortion	1%
Pre-Emphasis	75 µs (Switchable)

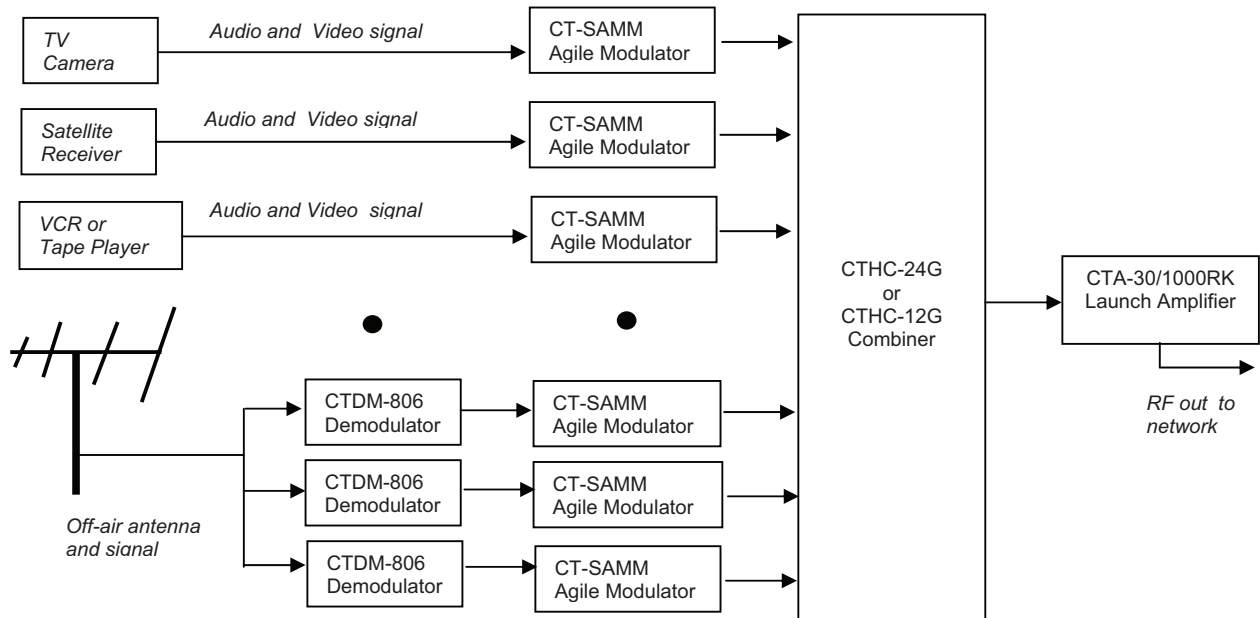
RF

Output Channels	CATV 2 -135, UHF 14 – 78
Output Level	45dBmV (min.)
Level Control Range	12 dBmV (Adjustable)
A/V Ratio Control	-11 dB to -18 dB (Adjustable)
Visual Frequency Stability	±5 KHz
Aural Carrier Offset	±4.5 MHz
Aural Carrier Stability	±5 KHz
Spurious Outputs	-60dBc
C/N Ratio (in-band)	-60dB
Out-of-Band Noise	-78dBc

General

Dimensions:	0.98" x 3.50" x 8.46" (24.8 x 88.9 x 214.8mm)
Weight	0.83 lbs (0.38 kg)
Warranty	1 year - Can be extended to 3 years

Sample Configuration



All product specifications are accurate at time of printing, but are subject to change.

Products are warranted for one year. Warranty can be extended to three years.

Contact a sales engineer for details.